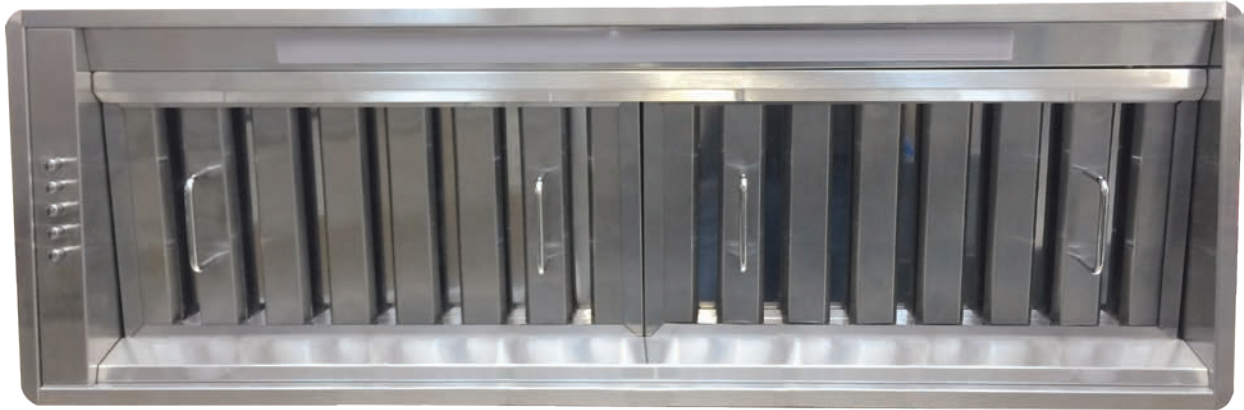
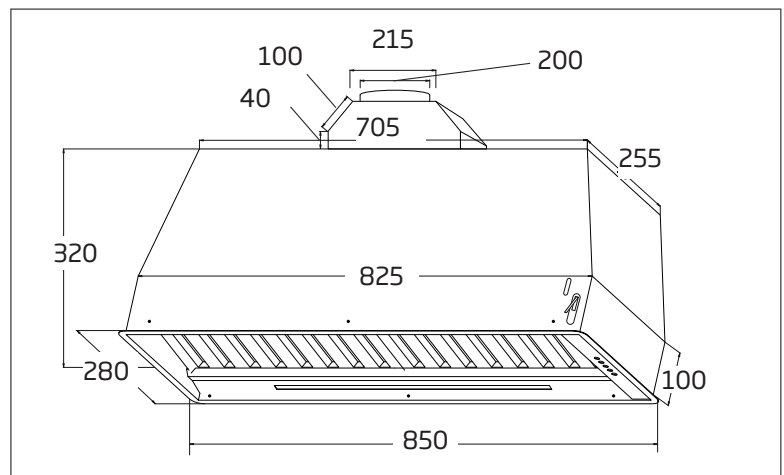


## >> PA20 rangehood/**UNDERMOUNT**/90cm



- **innovative design** - this stainless steel undermount rangehood integrates seamlessly with cabinetry for industrial kitchen styling.
- **powerful extraction** - 2200m<sup>3</sup>/hr of airflow, efficient extraction of steam and smoke, leaves kitchen air fresher.
- **3 speed levels** - easy to use push button controls.
- **baffle filters** - dishwasher safe, commercial grade, lifetime warranty
- **ducting kit included** - 200mm x 2m



Description	Technical data
<ul style="list-style-type: none"> <li>• stainless steel finish</li> <li>• 3 speed button controls</li> <li>• 1 x LED strip light</li> <li>• 2 x baffle filters, dishwasher safe filters</li> <li>• 3 Year Warranty</li> </ul>	<p><b>PA20</b></p> <ul style="list-style-type: none"> <li>• dimensions: (W x D) 850 x 280 mm</li> <li>• quad fan, twin motor 2200m<sup>3</sup>/h airflow</li> <li>• decibel rating: 56-66.5(dB)</li> </ul>