

RANGEHOOD & INSTALLATION GUIDE

CL8912

**schweigen**

[www.schweigen.co.nz](http://www.schweigen.co.nz)

# 1. Welcome

Thank you for purchasing this Schweigen appliance.

To achieve the optimal performance from your appliance, and to avoid the risk of accident or damage, it is essential to read this manual before installation and first time use.

This guide contains important information on the use and maintenance of the appliance, as well as important safety notes.

Your appliance has been thoroughly checked for safety and functionality before being packaged and leaving the manufacturer.

**Please keep this instruction manual in a safe place so you can refer to it at any time.**

## IMPORTANT!

The appliance should only be operated when you have read and understood this manual thoroughly.

The appliance can be only used for the purpose for which it was designed. Any other use is improper and can be dangerous.

Installation and maintenance of gas and electrical appliances should only be carried out by qualified and authorised professionals familiar with Australian Appliance Industry regulations.

Upon collection or delivery of your appliance, any damage or defects **must** be reported within **48 hours** to your retailer or Schweigen Customer Service, in order to **recognise any claim**.

The manufacturer reserves the right to introduce product improvements, which do not affect the operation of the appliance.

<b>1. Welcome</b>	<b>2</b>
<b>2. Important safety information</b>	<b>4</b>
<b>3. Description</b>	<b>7</b>
<b>4. Installation</b>	<b>8</b>
<b>5. Maintenance</b>	<b>13</b>
<b>6. Specifications</b>	<b>18</b>
<b>7. Disclaimer</b>	<b>19</b>

## 2. Important safety information

Please read the instructions carefully. Only then will you be able to operate your appliance safely and correctly. Retain the instruction manual for future use or for subsequent owners.

Check the appliance for damage after unpacking it. Do not connect or install the appliance if it has been damaged in transport.

### **Any damage must be reported within 48 hours.**

There must be adequate ventilation in the room when the rangehood is used at the same time as appliances burning gas or other fuels.

The air must not be discharged into a flue that is used for exhausting fumes from appliances burning gas or other fuels.

Air exhaust systems must be installed in accordance with local and federal laws.

There is a fire risk if regular cleaning is not carried out in conjunction with the instructions.

Do not flambé (ignite food while cooking) under the rangehood. This will damage the rangehood and will void warranty.

Do not ignite burners that give off intense uncontrolled flames beneath the rangehood.

Flames beneath the pan must be contained at all times and cannot exceed the width of the pan in use.

Do not leave any packaging material (bags, corner brackets etc.) within reach of children.

This appliance is not intended for use by person/s (including children) with reduced physical, sensory or mental capabilities, or lack of experience and/or knowledge. Unless, the person is given supervision or instruction concerning the safe usage of the appliance by person/s responsible for their safety. Children must be supervised to ensure that they do not play with the appliance, it is not a toy.

Accessible parts may become hot when used with cooking appliances.

Before performing any cleaning or maintenance operation, disconnect the rangehood from the mains power, using the respective mains or sector switch, or by unplugging it.

Do not use the rangehood without the grease filters.

Keep the grease filters clean and respect the recommended cleaning frequencies.

It is forbidden to use the rangehood as an aspirator.

### Before Installation

We recommend this appliance be installed or repaired by a qualified Schweigen Home Appliances technician.

Please see our website [www.schweigen.co.nz](http://www.schweigen.co.nz) for a list of our recommended installers.

It is dangerous to modify any part of this appliance. Modification of any kind will immediately void the warranty.

The manufacturer declines all responsibility in case of failure to adopt proper safety measures.

Ensure that the location in which this appliance is installed, has good and permanent ventilation.

Please consult local laws and regulations and install in accordance.

Please use an earthed electrical connector that coincides with relevant local laws and regulations.

Check that the power voltage in your area corresponds to the appliance voltage indicated on the rating label.

This appliance must be connected to an electrical supply that has a **grounded connection**.

Check that the indicated instructions and local regulations are met and carried out by a qualified technician, using materials that are compliant with the applicable legislation.

Schweigen will not be responsible for any installations executed by non-qualified technicians that fail to heed the applicable legislation on electrical safety.

The electrical technical data can be found inside the rangehood, after removing the grease filters.

The flexible power cables supplied are already connected internally and emerges from the rangehood near the air outlet tube.

### Before installing the electrical connections, you should:

- Verify that the indicated electrical data coincides with the voltage values and frequency of the electrical circuit in the house where the rangehood is to be installed.
- Check that the premises has electrical protection against short circuits and electrocution.
- Before commencing maintenance the current must be turned off using the double-pole switch (mains power switch). The power can only be turned on for normal use, once the operation has been completed.
- Ensure the supply cord is not exposed to heat, chemicals or sharp objects. If the supply cord is damaged, it must be replaced by the manufacturer, service agent or a similarly qualified person in order to avoid a hazard.

## 2. Important safety information

### Product Use

The Rangehood has one mode of operation:

**Air extraction:** The air is drawn in by the rangehood, filtered through the grease filters, and then expelled outside. Please check the cleaning and maintenance section for advice on the filter's cleaning schedule.

This product is designed for household use and must not be used for commercial applications.

After use, always ensure that all controls are in the "OFF" position.

Never flambé any food beneath the rangehood.

Always switch off the power source and unplug the connection before conducting maintenance or cleaning.

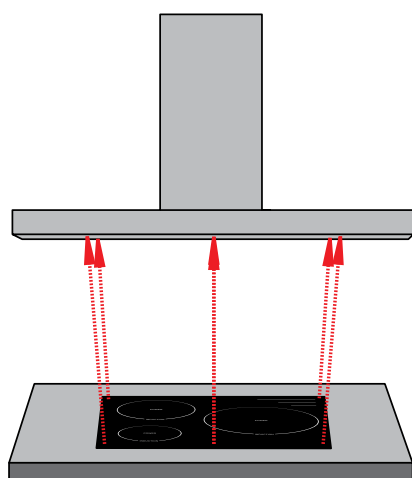
Respect the cleaning frequencies and intervals for changing the filters, otherwise, the accumulated grease could cause a fire or damage to the appliance.

Changes made to the steel surface will render the warranty invalid.

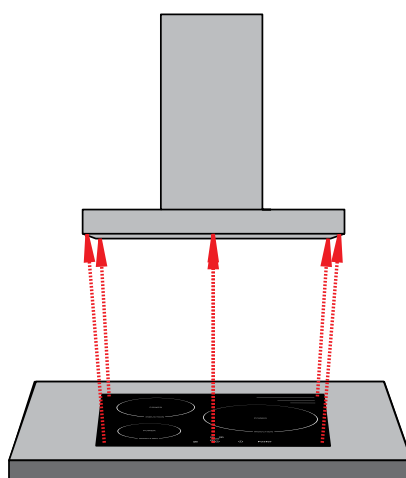
In addition to the size of the rangehood, the height of the rangehood above the cooktop is important to obtain the best performance.

For recommended heights, please refer to Mounting Laws and Regulations.

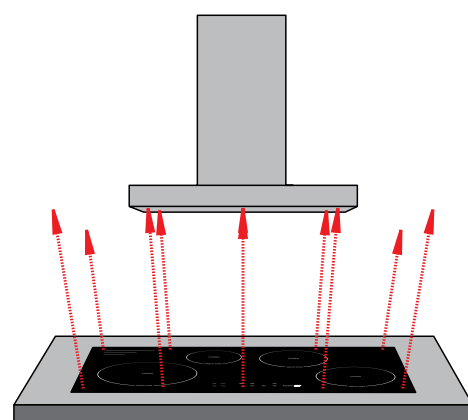
### Match the Rangehood Size to your Cooktop



Rangehood larger than  
cooking zone  
**OPTIMAL**



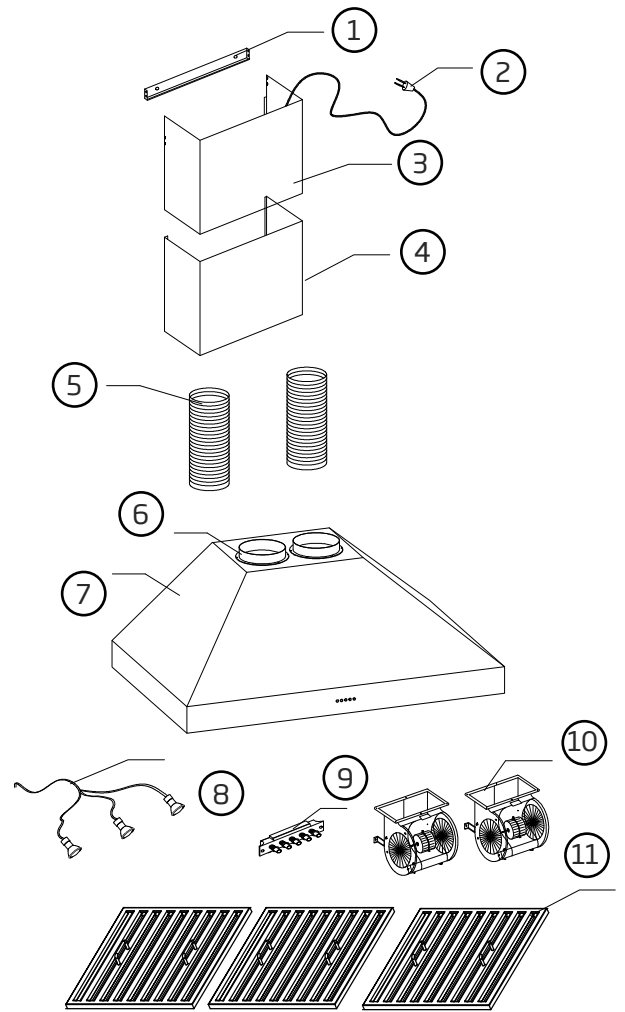
Rangehood same size as  
cooking zone  
**ADEQUATE**



Rangehood smaller than  
cooking zone  
**INADEQUATE**

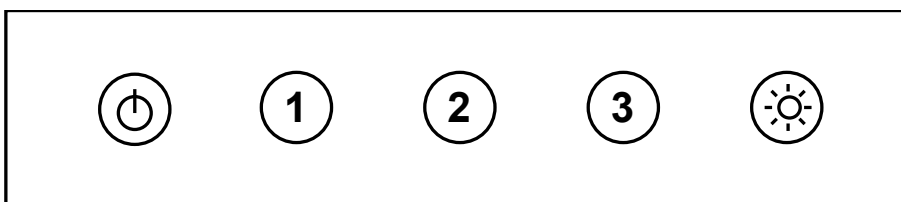
## Main Rangehood

- ① Mounting Bracket
- ② Power Cord
- ③ Upper Flue
- ④ Lower Flue
- ⑤ Pipe
- ⑥ Outlet (150mm)
- ⑦ Body
- ⑧ Lamp (GU 10 fitting)
- ⑨ Switch
- ⑩ Motor
- ⑪ Baffle Filter



**NOTE:** Filter and light quantity may vary from model to model.

## Push Button Control Panel



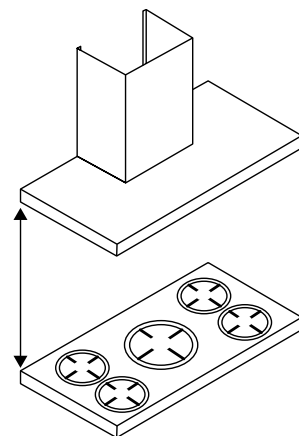
- ⏻ Turn on/off the rangehood
- ① Low speed setting
- ② Medium speed setting
- ③ High speed setting
- ☀ Turn on/off the lamp

## 4. Installation

### Mounting Laws and Regulations

To be installed in an undercover alfresco area and/or indoor kitchen only. If the unit is not adequately covered or sheltered from the outside elements the warranty will be null and void.

- The location of the installation must have permanent openings for ventilation.
- Regulations concerning the expelling of air must be fulfilled.
- It is **STRONGLY RECOMMENDED** that the rangehood be installed centrally over the cooktop, this will greatly improve its performance.



**Minimum** and **maximum** heights (cooktop-to-canopy) are **legally** required, and recommended for optimum rangehood performance in an indoor kitchen

**Outdoor alfresco area – rangehood MUST NOT be installed where exposed directly to the elements:**

- Minimum height 1200mm\*
- Installation heights above 1200mm will compromise extraction.

### For indoor kitchen area

Type of Cooktop	Min. Height	Max. Height
Electric	650mm	750 to 800mm
Gas	650mm	750 to 800mm

### Installation height for Induction Cooktop

Type of Cooktop	Min. Height*	Max. Height	Notes
Induction	700mm	800mm	* Schweigen's recommended height will help avoid condensation, particular to cooking with an Induction Cooktop. Refer to additional notes.

**IMPORTANT: Please check all State and Federal Laws in relation to the minimum - maximum heights, regulations concerning the expelling of air and install your rangehood in accordance with local laws and regulations.**



## Wall Mount Installation

Every wall mounted rangehood has two primary mounting points and several secondary mounting points to firmly fix the rangehood in its place.

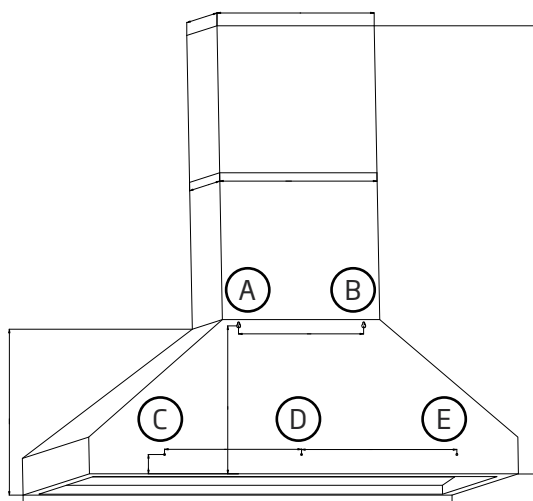
Please ensure that the holes for the two primary mounting points are level before installation.



### Danger

Always switch off and disconnect power before installing the rangehood. Failure to do so may cause serious injury.

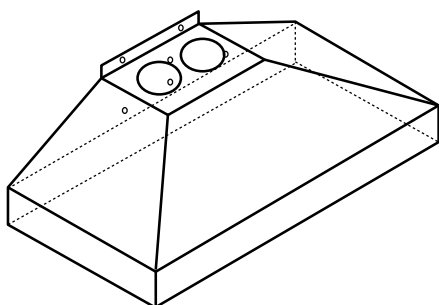
## Mounting Points



\*Please refer to Specifications for mounting points measurements.

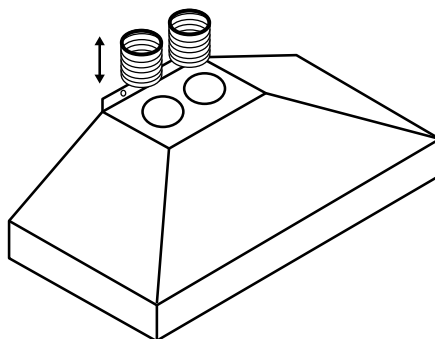
### Step 1

Secure rangehood to the wall using only primary mounting points A & B. Check the level of the rangehood and adjust accordingly if necessary. Once level, continue to secure the rangehood via the secondary mounting points C, D & E.



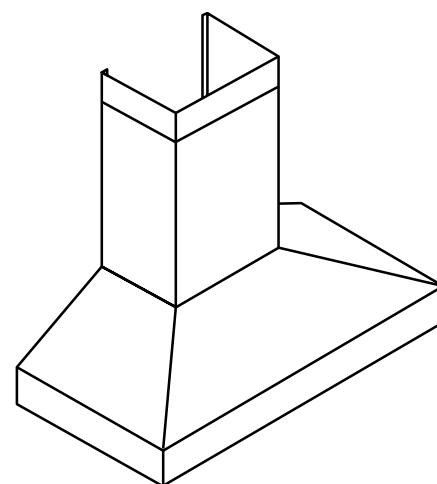
### Step 2

Feed through aluminium flexi duct from the outlet block to the wall or ceiling vent systems.



### Step 3

Place flue covers on.



See next page for Step 4.

## 4. Installation

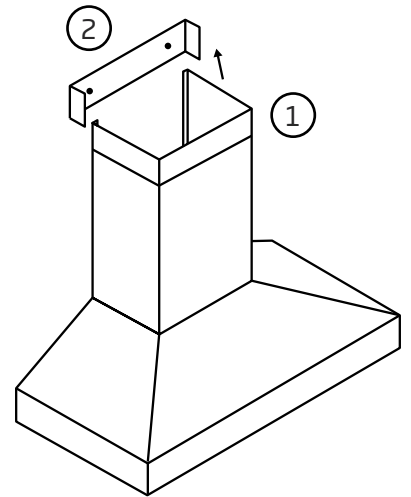
### Step 4

The outer and inner metal flue are encased one within the other.

Attach the flue wall mounting bracket to the correct position on the wall for the inner flue section to attach to at your desired height.

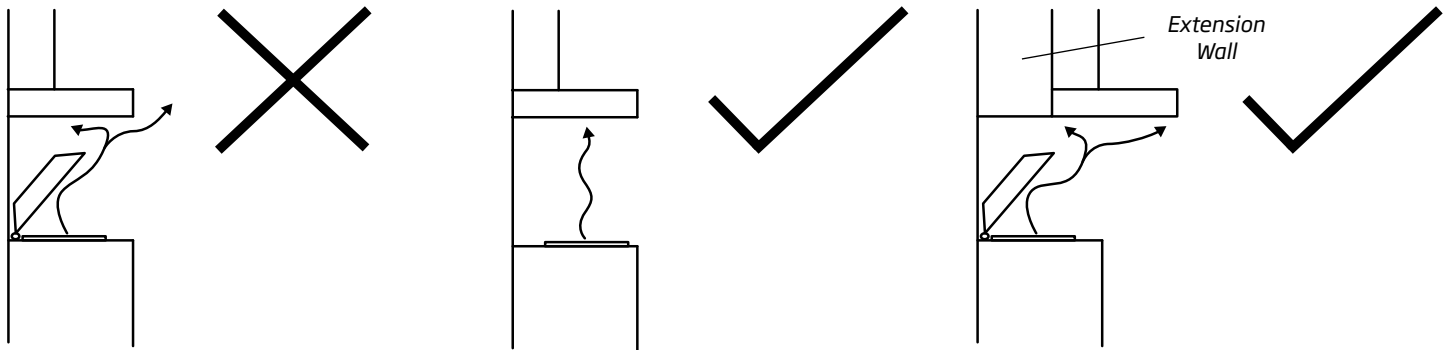
Slide the inner flue cover (1), to the wall mounting bracket (2), and attach.

**NOTE:** Please make sure that all plastic protection on the rangehood and filters are removed before use.



### BBQ Installation

When installing the rangehood over a BBQ, please be aware that the lid will obstruct the rangehoods effectiveness to extract smoke, steam and odours. Where possible, remove the lid of the BBQ unit when in use, so as to allow for effective rangehood extraction. Alternatively, install the rangehood on an extension wall, refer to the figure below.



## Example Installation

Figure 1

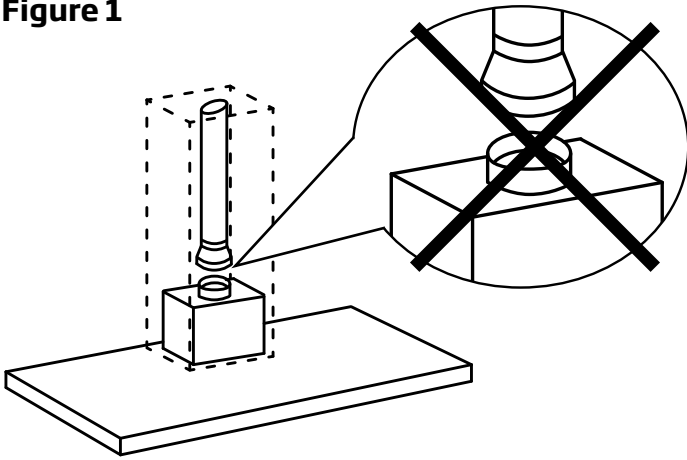


Figure 2

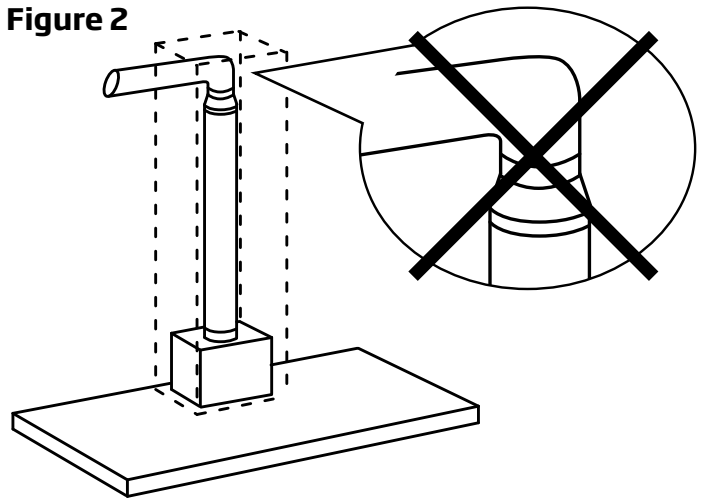


Figure 3

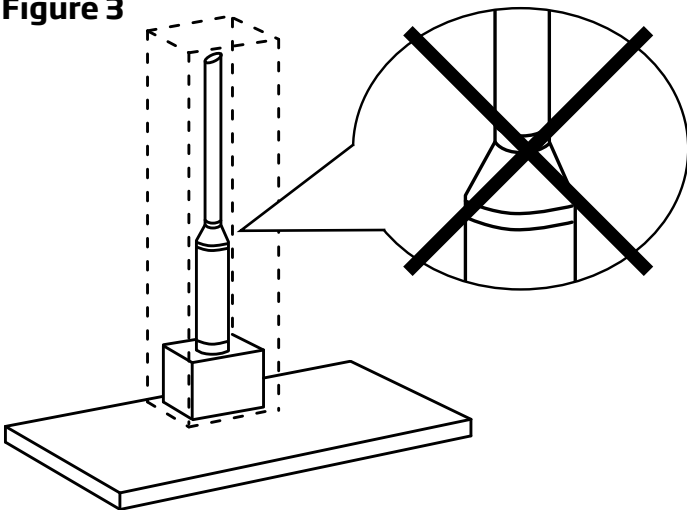


Figure 4

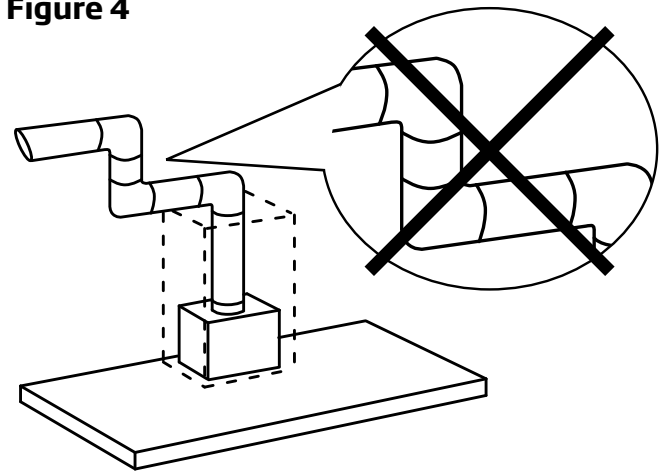


Figure 5

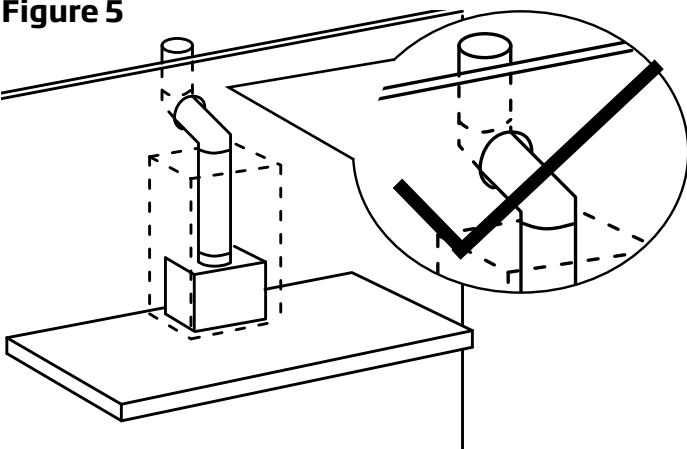
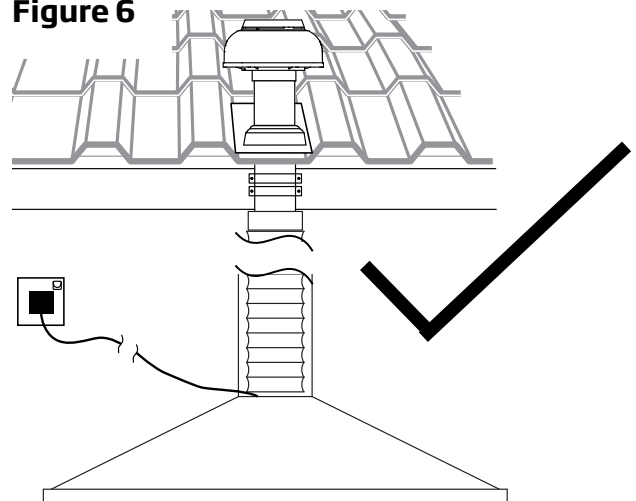


Figure 6



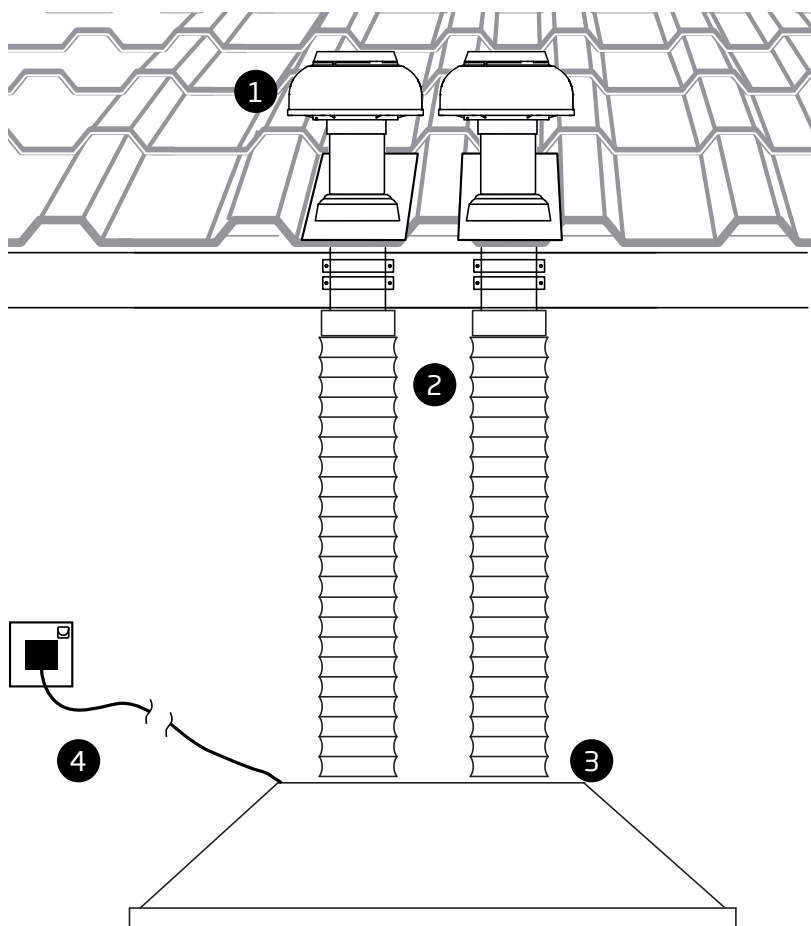
## 4. Installation

### Roof Cowls / Roof Seal Kit



#### WARNING

All electrical wiring should be kept inside the roof space.



- ① Roof Cowls\*
- ② Flexi Ducting must be pulled taut. **DO NOT** crush or kink the ducting.
- ③ Connect flexi ducting to the outlet on rangehood using aluminium foil tape and cable tie. Please **DO NOT** rip the ducting.
- ④ Main Power Lead (Male Plug)

**\*NOTE:** Motor system does not include the roof seal kit/roof cowls, cable tie, duct tape or the support straps.

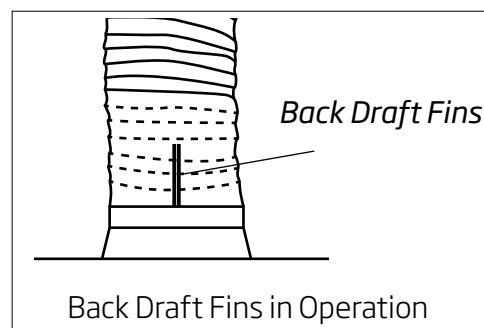
For best result, please install ducting in a straight line and duct length no longer than 4 metres.

## Back Draft Fins

Should your Back Draft Fins get stuck, this is not a warranty issue.

When installing Back Draft Fins, please ensure that you insert the Back Draft Fins onto the back draft base, which are attached to the top of the motor outlet before installation.

**NOTE: Please make sure when ducting is installed, that it does not impede the Back Draft Fins from opening completely, otherwise poor extraction will occur.**



## 5. Maintenance

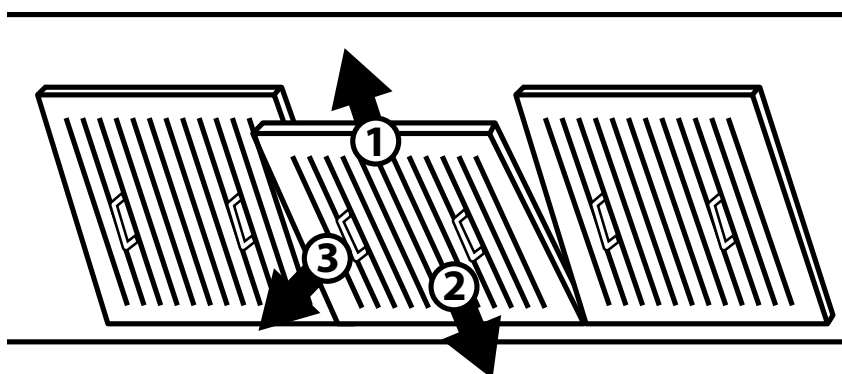
### Filters

- For this appliance to function effectively, regular maintenance is a must.
- The function of the filter is to absorb the grease particles emitted during cooking.
- Blocked filters and heavy oil deposits restrict airflow and may cause the motor to overheat and become a fire hazard.
- Filters should be cleaned every 3-6 weeks or after 40 hours of use.
- Disconnect the electrical connection before any maintenance or cleaning processes are carried out.
- To remove the filter, grab the handles pull forward the filter, lift it up slightly and push back. Then pull down gently to release it. To replace, perform the same operation but in reverse.
- In ceiling-mounted rangehoods, the doors or glass must be opened before accessing the filters.
- For an induction cooktop, please aim to clean them at least every 10 days, depending on use.
- The filters can be washed by hand or in the dishwasher

**Washing by hand** - Immerse the filter in hot water and a suitable detergent and when clean, rinse with plenty of hot water.

**Dishwasher** - Put the filter in the dishwasher and select a short program at low temperature.

**NOTE:** The colour of the metal mesh filters may change after several washes. This is normal and it is not necessary to change the filters. Please make sure the filters are dry before placing them back in position.



### Replacing the Light Bulb for CL8912

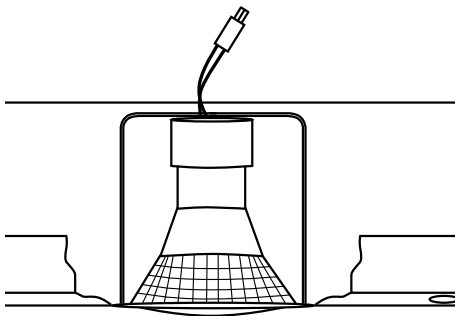


#### **DANGER**

Always switch off and disconnect the power cord before replacing any light bulbs. Failure to do so may cause serious injury. Please be aware that the light bulb will retain heat for a short period of time after being switched off.

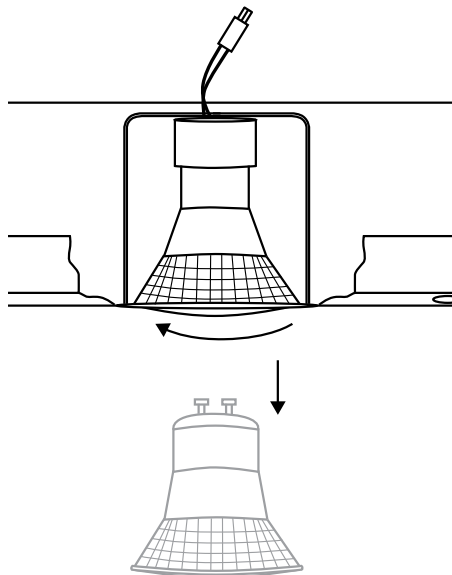
#### **Step 1**

Remove the filters from the rangehood.



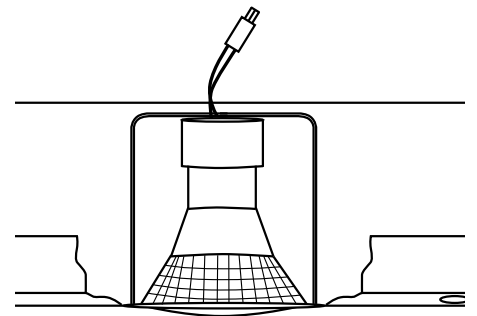
#### **Step 2**

Gently turn light bulb anti-clockwise, pull the light bulb down and remove it from the light holder.



#### **Step 3**

Insert a new light bulb by lining up the pins of the light bulb with the larger holes inside the light holder. Once the pins are in place, turn clockwise to secure the light bulb.



## Cooking with Induction Cooktops

Cooking with an induction or similar cooktop, may produce condensation on the rangehood.

Unlike basic electric or gas cooking, induction cooktops heat food and liquid instantly, which in turn, produces vapours rapidly. Because of the accelerated process, the rangehood filters do not have enough time to warm up, which increases the chance of condensation forming.

There are many variables that may contribute to condensation forming, some of which include but are not limited to:

- Variance in climate - geographical location.
- Position of your home & kitchen - morning/afternoon sun.
- Distance from cooktop to the rangehood.
- Speed of food & liquid heating.
- Angle of ducting - an 'S' bend is preferred.
- Filter size - larger rangehood preferred, as it will have a larger filter extraction area.
- Quality of pots or cookware you are using - high quality is recommended.

## How to reduce the possibility of condensation forming:

- Ensure the rangehood is installed by a qualified professional, carefully following the installation guide.
- Turn on the rangehood 5-10 minutes prior to cooking, and leave on for 5-10 minutes after cooking; this helps clear remaining vapours from the flue.
- Start the cooking process at a low-to-medium setting and allow time for the rangehood to become warm.
- Clean filters regularly.
- Ensure constant airflow in the cooking zone; this helps optimise the rate of extraction.
- Follow all induction cooktop manufacturer's advice.
- Install at recommended height above induction cooktop.

For further tips or information regarding cooking with induction, please contact the induction cooktop manufacturer.

## 5. Maintenance

Before you contact the technical service department, make sure that the product is plugged in and power is supplied.

- Do not take any action that will damage the product.



### IMPORTANT

Never attempt to repair this appliance by yourself. Always refer to a qualified Service Technician.

	Check electric connection. Voltage of the electric network should be between 220 - 240V, rangehood should be connected to grounded plug and turned on.	Check motor switch. Please ensure that there is power to the rangehood and the rangehood is switched on.	Check lamp switch. Lamp switch should be at on position.	Check filters. The filters should be washed regularly, see filter cleaning.	Light bulbs should be firmly in position.	Check light bulbs. Make sure they are not broken or faulty.	Please make sure there is no obstruction in ducting or with the back draft fins.	Check the outlet, make sure it is not blocked and you have the correct diameter ducting installed.	Check the ducting has not come off the rangehood outlet or has been eaten through by rodents.
Rangehood does not work	X	X							
Light does not work	X		X		X	X			
Rangehood air exaction is weak				X			X	X	
Rangehood does not direct air out (through chimney)				X			X		
Loud noise from the rangehood							X		



## Calling the Technical Assistance Service Hotline

In the event that the failure is not due to the faults mentioned in Trouble Shooting, contact Customer Service.

**In Australia,** Customer Service 1300 829 066

**In New Zealand,** Customer Service 0800 200 510

## Lodging an online Service Request

In the event that failure is not due the reason/s in the trouble shooting section, you can lodge an online Service Request.

To lodge a Service Request, visit our website [www.schweigen.com.au/pages/support/service-warranty](http://www.schweigen.com.au/pages/support/service-warranty) and click on the link to download the service request form.

A service request will require the following information:

- The purchase date
- The rangehood model and motor type
- The rangehood serial number or batch number (this number is on a sticker inside the rangehood)
- A copy of the purchase receipt (without a receipt your service request cannot be processed)

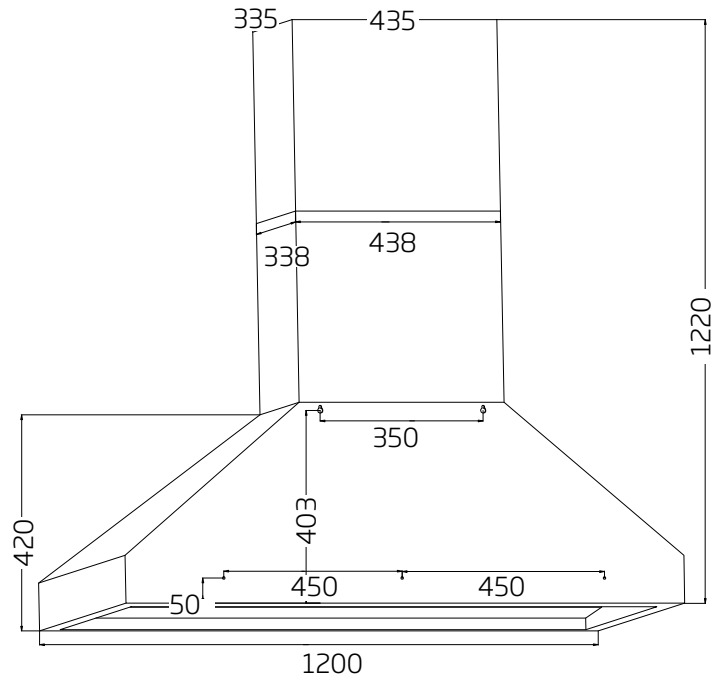
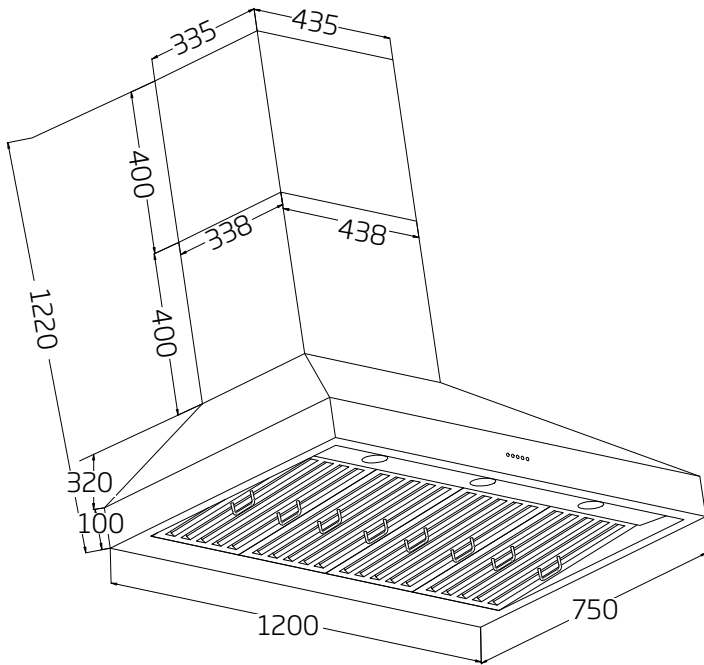
## Faulty Installation

It is not the responsibility of Schweigen Home Appliances to rectify any incorrect installations. A service call out fee will be charged for any Schweigen technician that attends a call, whereby it is established that the fault is due to an incorrect installation or non-manufacturing fault. Should the appliance be installed in such a way that the service agent is unable to gain access to the appliance, the person/s who own the premises where the appliance resides – will be responsible to provide access to the appliance at their expense.

# 6. Specifications

## Technical Specifications

<b>Model</b>	CL8912
<b>Feeding Voltage</b>	220-240V 50Hz
<b>Lamp Power</b>	3 LED x 3.5W



Under our policy of continuous product development, product specifications may change without notice. Prospective purchasers should therefore check with the retailer to ensure this publication correctly describes the products being offered for sale. All information supplied is to be used for general reference purposes only and is on the understanding that Schweigen Home Appliances will not be liable for any loss, liability or damage of whatever kind arising as a result of any reliance upon such information. All pictures used in the guide are for illustrative purposes only.

Schweigen Home Appliances has presented this information in good faith to all their retailers and distributors to convey before any/all purchase/s. Information is supplied upon the condition that the person/s receiving the information will make their own determination as to its suitability for their purpose/s prior to use. In no event will Schweigen Home Appliances be responsible for damages of any nature whatsoever resulting from the use of, or reliance upon, information from their website or the products to which the information refers.



The symbol on the product or its packaging indicates that it cannot be treated as normal household waste. Take this product to your nearest electrical and electronic equipment waste point for recycling. By correctly disposing of this product, you will be helping to prevent potentially negative consequences for the environment and public health, which could arise if this product is not handled in the appropriate way. For more details about the recycling of this product please contact the authorities of your city or town, your local household waste service or the store where you purchased the product.

# schweigen

**Australia** 8/3-4 Anzed Court, Mulgrave 3170 Victoria. **Phone** 1300 881 693  
**Email** [sales@schweigen.com.au](mailto:sales@schweigen.com.au) **Web** [www.schweigen.com.au](http://www.schweigen.com.au)

**New Zealand** 5 Tolich Place, Henderson, Auckland 0610. **Phone** 0800 200 510  
**Email** [info.parex@emerson.com](mailto:info.parex@emerson.com) **Web** [www.parex.co.nz](http://www.parex.co.nz)