

RANGEHOOD & INSTALLATION GUIDE

DS3170-9S

schweigen

www.schweigen.co.nz

1. Welcome	3
2. Your Safety	
Warning	4
Before Installation	5
Product Use	6
Maintenance and Service	6
Electrical Cord	6
3. Tips and Suggestions	
For Users	7
For Installers and Users	7
4. Description	
Main Rangehood	8
Speed Control	8
5. Operation	
Control Panel	9
6. Cleaning and Maintenance	
Surfaces	10
Filters	10
Cleaning the Interior	11
Cleaning the Exterior	12
Replacing the Light Bulb	13
7. Installation	
Wall Mount Installation	14
Mounting Laws and Regulations	14
Flexible Ducting for Isodrive Motor System	17
Overview	17
8. Maintenance	
Condensation Information	18
Troubleshooting	20
Technical Specifications	20
Faulty Installation	21
9. Specification	
DS3170S	22
10. Disclaimer	23

Thank you for purchasing your new Schweigen rangehood.

To get the maximum output from this unit, please read through this guide before use.

The guide contains important information on the use and maintenance of the unit, as well as important safety notes. This will ensure your personal safety and the lasting value of your rangehood.

We trust that you will enjoy your new Schweigen rangehood.

Please always retain your proof of purchase to aid in any warranty queries.

If you are unable to locate your warranty card, one is available to download from our website

www.schweigen.co.nz

This appliance and its packaging are produced by processes that minimise waste and respect the environment.

Please help us to continue this effort to protect the environment by using the appliance efficiently and dispose of the packaging in a responsible manner.

Model
Purchase Date
Purchase Location



WARNING

Please read this section thoroughly before attempting to operate the appliance. Inspect your product upon receipt. Any damage or defects **MUST** be reported within **48** hours, or no claim will be recognised.

DO NOT INSTALL THIS APPLIANCE IF YOU FIND IT DAMAGED.

If this product is installed damaged, neither the supplier, nor the retailer, will be responsible for the costs associated with the repair, replacement, removal or re-installation of the appliances.

1. There shall be adequate ventilation in the room when the rangehood is used at the same time as appliances burning gas or other fuels.
2. There is a fire risk if cleaning is not carried out in accordance with the instructions.
3. Do not flambé under the rangehood. This will damage the rangehood and will not be covered by warranty.
4. Do not ignite burners that give off intense, uncontrolled flames beneath the rangehood.
5. Make sure that no flames emerge from the sides of pans.
6. Do not leave packaging materials (bags, corner brackets, etc) within reach of children.
7. This appliance is not intended for use by person/s (including children) with reduced physical, sensory or mental capabilities, or lack of experience and/or knowledge. Unless the person has been given supervision or instruction concerning the use of the appliance by a person responsible for their safety. Children should be supervised to ensure that they do not play with the appliance, it is not a toy.
8. The air must not be discharged into a flue that is used for exhausting fumes from appliances burning gas or other fuels (not applicable to appliances that only discharge the air back into the room).
9. Accessible parts may become hot when used with cooking appliances.
10. Before performing any cleaning or maintenance operation, disconnect the rangehood from the mains using the respective mains or sector switch or by unplugging it.
11. Do not use the rangehood without the grease filters.
12. Keep the grease filters clean and respect the recommended cleaning frequencies.
13. Turn the rangehood motor on before starting to cook.
14. Turn the rangehood motor off about 10-15 minutes after you finish cooking.
15. It is forbidden to use the rangehood as an aspirator.
16. Never cook foodstuff directly over the flame or have the gas burners on under the rangehood without using cookware.

Before Installation

- 1.** We recommend this appliance be installed or repaired by a qualified Schweigen Home Appliances technician.
- 2.** Please see our website www.schweigen.co.nz for recommended installers.
- 3.** It is dangerous to modify any part of this appliance. Modification of any kind, will immediately void the warranty.
- 4.** The manufacturer declines all responsibility in case of failure to adopt proper safety measures.
- 5.** Ensure that the location in which this appliance is installed, has good and permanent ventilation.
- 6.** Please consult local laws and regulations and install in accordance.
- 7.** Use an electrical connector with earth that is correct for your location.
- 8.** Check that the voltage in your area corresponds to the appliance as indicated on the rating label.
- 9.** This appliance must be connected to an electricity supply with a **ground connection**.
- 10.** Check that the installation and electrical connections are made by a qualified technician and that the indicated instructions and local regulations in force are met, using materials that are compliant with the applicable legislation.
- 11.** The company will not be responsible for installations executed by non-qualified staff and installations that fail to heed the applicable legislation on electrical safety (with regard to both modes and materials).
- 12.** The electrical technical data can be found inside the rangehood, after removing the grease filters.
- 13.** The flexible power cable supplied is already connected internally and emerges from the rangehood near the air outlet tube.
- 14. Before installing the electrical connections, you should:**
 - Verify that the indicated electrical data coincide with the voltage values and frequency of the electrical circuit in the house where the rangehood is to be installed;
 - Check that the premises has electrical protection against short circuits and electrocution, pursuant to the applicable legislation;
 - Always switch off the current using the double-pole switch before maintenance and turn the power on again for normal use only when the operation has been completed.

2. Your Safety

Product Use

This product is designed for household use and should not be used for commercial applications.

After use, always ensure that all controls are in the “OFF” position.

When frying with a gas flame, take particular care not to allow the oil or grease in the pan to catch fire. (Flambé)

Maintenance and Service

The rangehood surface should be cleaned with soft cloth and non-corrosive detergent. Do not leave the rangehood wet after cleaning or use, please keep rangehood dry.

IMPORTANT: Never attempt to repair this appliance by yourself. Always refer to a qualified Service Technician.

Always switch off the electricity and unplug the connection before conducting maintenance or cleaning.

Electrical Cord

Ensure the supply cord is not exposed to heat, chemicals or sharp objects. If the supply cord is damaged, it must be replaced by the manufacturer, service agent or a similarly qualified person in order to avoid a hazard.

The Rangehood has one mode of operation:

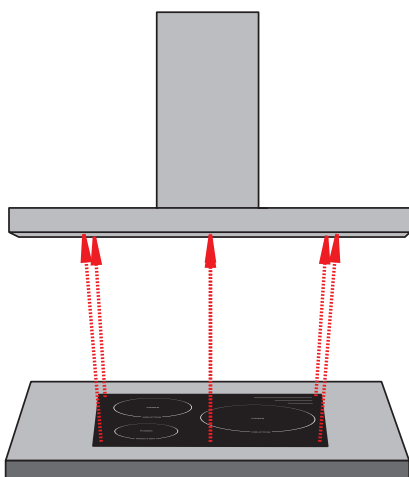
Air extraction: The air is drawn in and cleaned by the grease filters and directed outside. Please check the cleaning and maintenance section for the filters' cleaning periods.

For Users

1. Do not leave the frying pan or fryer unattended, as the oil could overheat and catch fire.
2. Never flambé any foods beneath the rangehood. The flames could cause a fire.
3. Before carrying out any operation inside the rangehood, unplug the appliance from the electrical mains.
4. Respect the cleaning frequencies and intervals for changing the filters, as otherwise the accumulated grease could cause a fire or damage the product.
5. Changes made to the steel surface will render the warranty invalid.

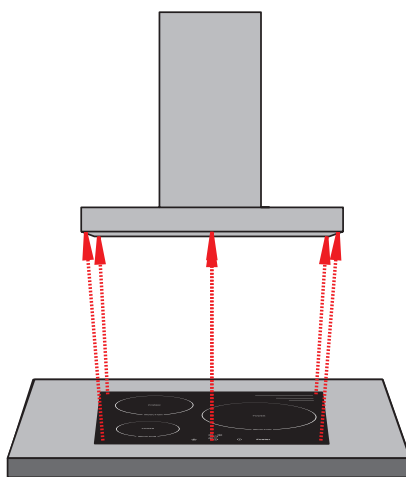
For Installers and Users

1. In addition to the size, the height of the rangehood above the cooktop is important to obtain the best performance.
2. For recommended height, please refer to Mounting Laws and Regulations.



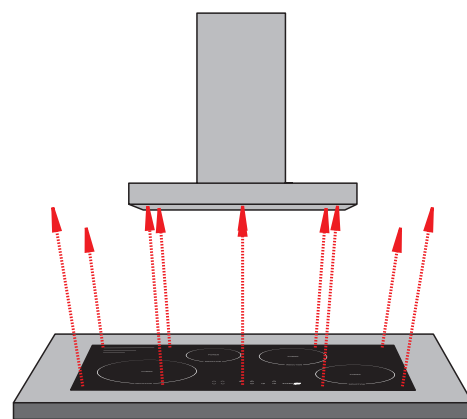
OPTIMAL

Rangehood bigger than the cooking area.



ADEQUATE

Rangehood equal to the cooking area.



INADEQUATE

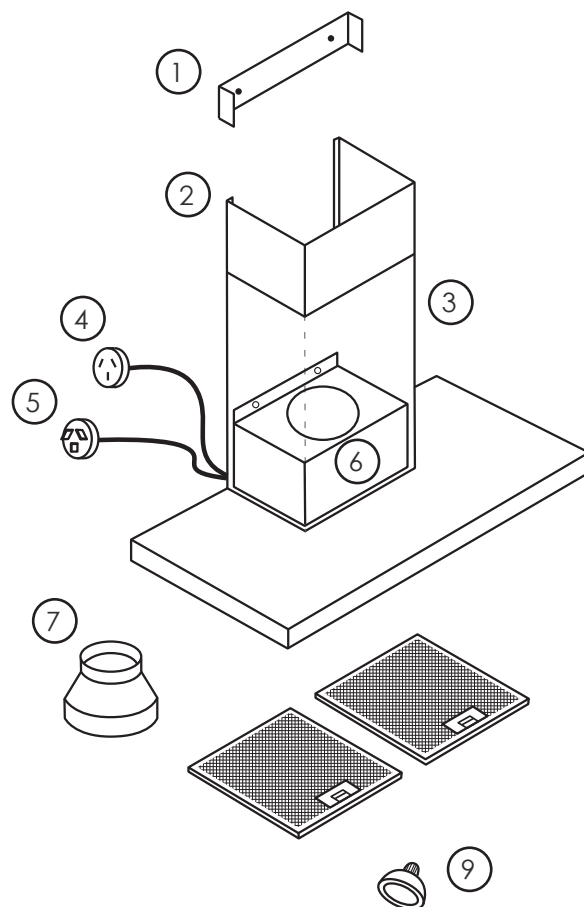
Rangehood smaller than the cooking area.

4. Description

Main Rangehood

- ① Mounting Bracket
- ② Extension Flue Piece
- ③ Main Flue
- ④ For use with Isodrive motor system
- ⑤ Male Plug (Main Power 240V)
Used for silent and non silent models
- ⑥ Single Outlet 200mm
- ⑦ Reducer (For Isodrive 650 only)
- ⑧ Filter
- ⑨ Lamp (For GU10 fittings, please twist to remove)

NOTE: Filter and light quantity may vary from model to model.



Speed Control

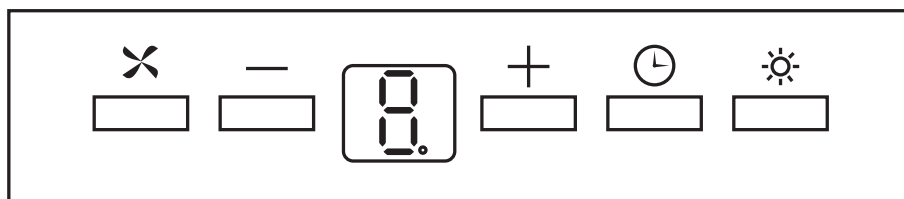
This rangehood is equipped with a 5 speed electronic control.






Speed control usage suggestions:

- Low speed for simmering.
- Medium speed for light cooking.
- High speed for heavy frying or heavy cooking.


Schweigen silent rangehoods are recognised for their silent operation. Although this holds true for all of our rangehoods with external motors, one must note that the rangehoods are silent when they are used for regular cooking on the lower fan setting. Therefore, you will only hear the movement of air.


Control Panel



-  Turn on/off the rangehood
-  Press - to decrease the fan speed
-  Press + to increase the fan speed
-  Press to activate the 15 minutes timer function, the display will flash and motor will stop automatically after 15 minutes.
-  Turn on/off the lamp.

Cleaning periods of metal filters — “C” Signal

Filter should be cleaned when “C” signal appears on the display on average this is every 4 to 5 weeks (or in accordance with the usage frequency). In order to remove “C” signal, after the filters are cleaned and placed back to their place, press  button for more than 3 seconds, when the product is at off position. The Letter “E” will appear on display and the product will operate as normal.

If you would like to continue using the product without deleting “C” signal, when you press the  button active speed will appear for 1 second, then “C” signal will appear once more and the motor will continue operating.

Note: “C” signal will appear after you use the product for approximately 60 hours.

In order to use the rangehood efficiently:

- Pay attention to metal filters' cleaning periods.
- Use the product at medium speed if high suction power is not necessary.
- In order to ensure that ventilation occurs correctly, windows of the kitchen should be kept closed.

6. Cleaning & Maintenance



WARNING

Always switch off and disconnect power before cleaning.

Surfaces

Wash with warm soapy water and a soft sponge. Never use abrasive detergent, scouring pads, steel wool or solvents on any part of this appliance. Always make sure to dry the appliance after cleaning and never leave wet, as this will cause irreparable damage.

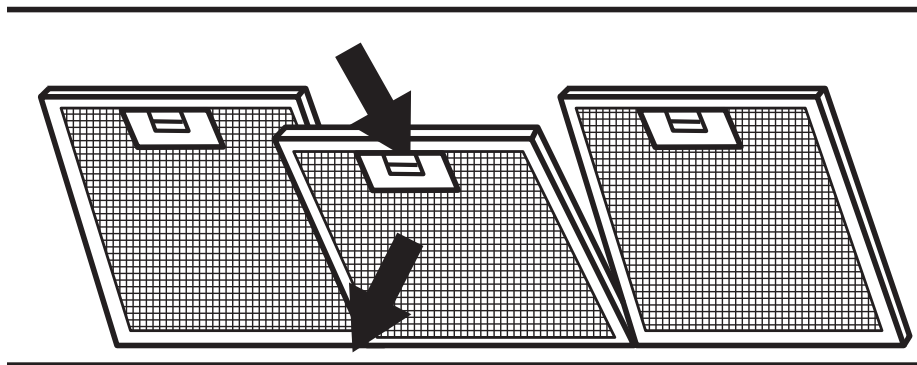
Filters

- For this appliance to function effectively, regular maintenance is a must.
- The function of the filter is to absorb the grease particles given off during cooking.
- Clogged filters and heavy oil deposits restrict airflow and may cause the motor to overheat and become a fire hazard.
- Filters should be cleaned every 3-6 weeks or after 40 hours of use.
- Disconnect electricity connection before maintenance and cleaning process.
- To remove the filter press handle and remove it through the front guide; bend it slightly and remove filter. To replace, perform the same operation but in reverse.
- In ceiling-mounted rangehoods, the doors or glass must be opened before accessing the filters.
- For induction cooktop, please aim to clean them at least every 10 days, depending on use.
- The filters can be washed by hand or in the dishwasher

Washing by hand - Immerse the filter in hot water and a suitable detergent and when clean, rinse with plenty of hot water.

Dishwasher - Put the filter in the dishwasher and select a short program at low temperature.

NOTE: The colour of the metal mesh filters may change after several washes. This is normal and it is not necessary to change the filters.





WARNING

- If the grease filters are very dirty, the motor will extract only a small quantity of air, which reduces its efficiency;
- The grease deposits that build up on the filter are highly flammable and **COULD EASILY CATCH FIRE.**
- The manufacturer is exonerated from all responsibility in the event of fire due to poor maintenance of the grease filters.

Cleaning the Interior

Clean the interior of the rangehood with a damp cloth and a neutral detergent or denatured alcohol.

NOTE: Do not use denatured alcohol on the exterior of the rangehood. Do not clean the electric parts or the motor with liquids or solvents

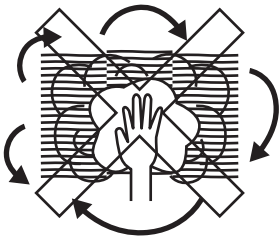
Cleaning the Exterior

We recommended using a soft cloth, water and a liquid soap, rinsing it well and then drying it thoroughly. For better results, you can use high quality cleaning and protection products (eg. Steel Kleen) to clean your rangehood.



WARNING

- Make sure that the electrical power is off.
- The recommended detergent is a solution of water and a neutral liquid soap.
- It is very important for the liquid soap to not contain granules that could scratch the surface.
- First apply the solution to a soft cloth and then rub the cloth over the rangehood. It is important to follow the direction of the stained surface with the cloth (refer to figure on left).
- Do not pour any liquid directly on to the rangehood.
- The cloth must have no buttons, zips or fasteners that could scratch the surface.
- It is strictly forbidden to use chemical solvents, aggressive, grainy or abrasive products, naphtha, alcohol or similar products that could damage the surface of the rangehood.
- The manufacturer will not be held responsible for functional or aesthetic damage caused by cleaning with products which are not suitable or using inadequate cleaning methods.



Replacing the GU10 Light Bulb

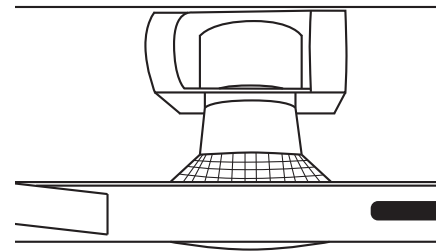


DANGER

Always switch off and disconnect power before replacing the lights. Failure to do so may cause serious injury. Please be aware that the light bulb will retain heat for a short period of time after being switched off.

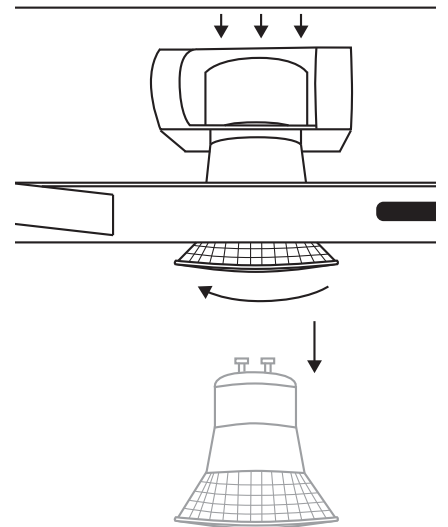
Step 1

Remove the filters from the rangehood.



Step 2

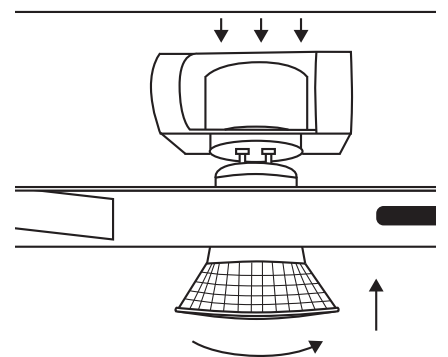
Gently push light holder down, turn light bulb anti-clockwise, pull the light bulb down and remove it from the light holder.



Step 3

Gently push light holder down. Insert a new light bulb by lining up the pins of the light bulb with the larger holes inside the light holder. Once the pins are in place, turn clockwise to secure the light bulb.

NOTE: Light bulb should sit flush after being installed. Do not over push the lamp holder as it may cause the light bulb to stick out. If this has occurred, please remove light bulb and push the light holder back into place and repeat steps 2 and 3.



7. Installation



DANGER

Always switch off and disconnect power before installing the rangehood. Failure to do so may cause serious injury.

Wall Mount Installation

Every wall mounted rangehood has two primary mounting points and several secondary mounting points to firmly fix the rangehood in its place.

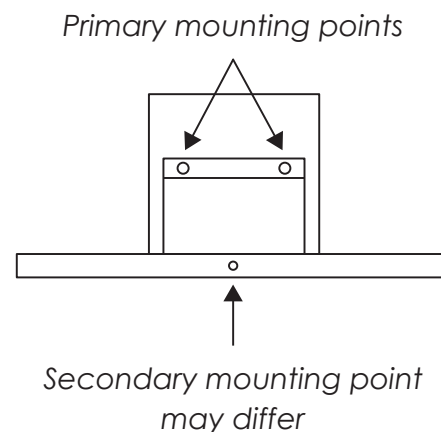
Use suitable bolts to mount the appliance on a secure surface.

Please ensure that the holes for the two primary mounting points are level before installation.



DANGER

Always switch off and disconnect power before installing the rangehood. Failure to do so may cause serious injury.



Mounting Laws and Regulations

The minimum distance between the bench top and the lowest part of the rangehood should not be less than:

For indoor kitchen area:

The minimum safety installation distance between the top of a cooktop and the lowest part of the rangehood are as follows:

Minimum installation height for electric and gas cooktops is 650mm*.

For rangehoods 90cm wide or larger: Distances above 800mm can compromise the extraction performance.

For 60cm wide rangehoods: Distances above 750mm can compromise the extraction performance.

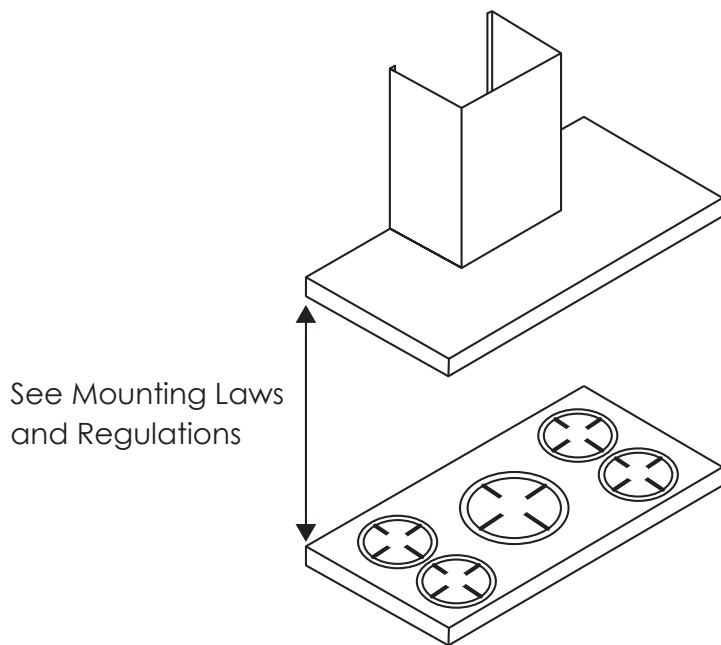
Suggested height above a Induction Cook top is 720mm to 800mm. For more information please see section Maintenance - Condensation Information*.

The location of the installation must have permanent openings for ventilation.

Regulations concerning the expelling of air have to be fulfilled.

It is strongly recommended that the rangehood be installed centrally over the cooktop.

***IMPORTANT: Please check all State and Federal Laws in relation to the minimum - maximum heights, regulations concerning the expelling of air and install your rangehood in accordance with local laws and regulations.**



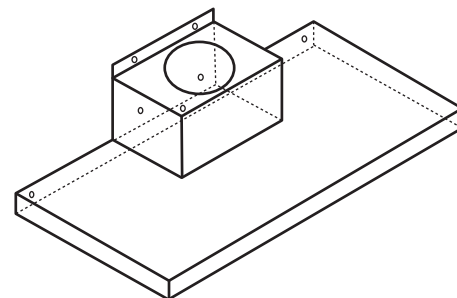
WARNING

If the user decides to install the rangehood at a distance of less than minimum height above the cooking surface, the company declines responsibility for damages suffered by the rangehood due to excess heat or damage to objects, people and others caused directly or indirectly by a malfunction, breakage or fire.

7. Installation

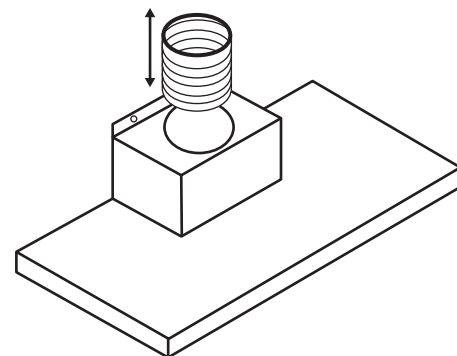
Step 1

Secure rangehood to the wall using only primary mounting points. Check the level of the rangehood and adjust accordingly if necessary. Once level, continue to secure the rangehood via the secondary mounting points.



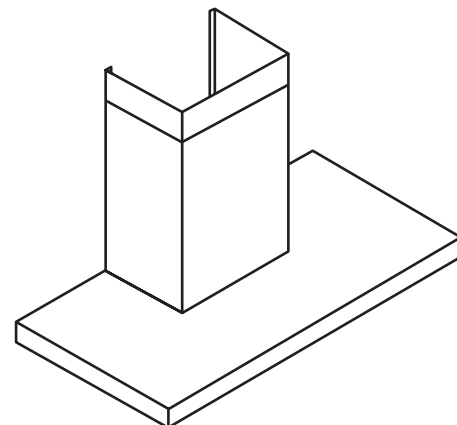
Step 2

Feed through aluminium flexi duct from the outlet block to the kitchen ceiling.



Step 3

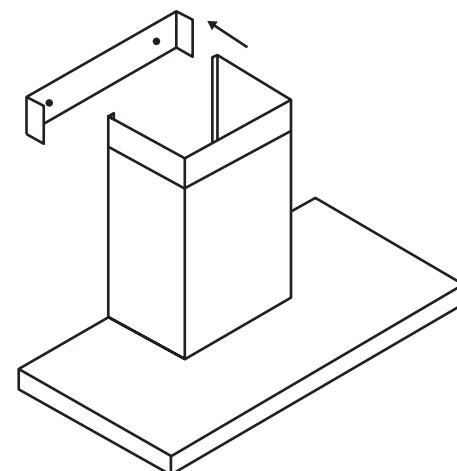
Place flue covers on.



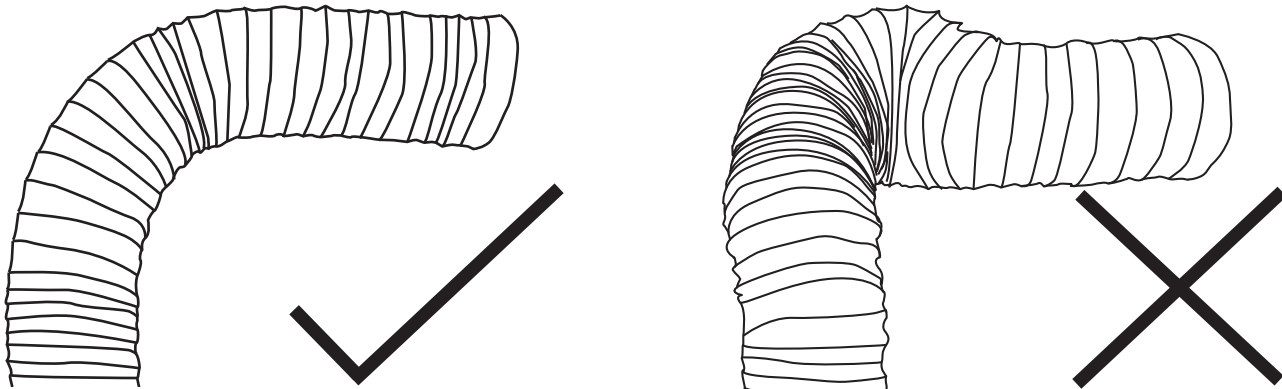
Step 4

Attach wall mounting bracket to the wall. Slide inside extension flue piece up to the wall mount bracket and attach.

NOTE: Please make sure that all plastic protection on the rangehood and filters is removed before use.

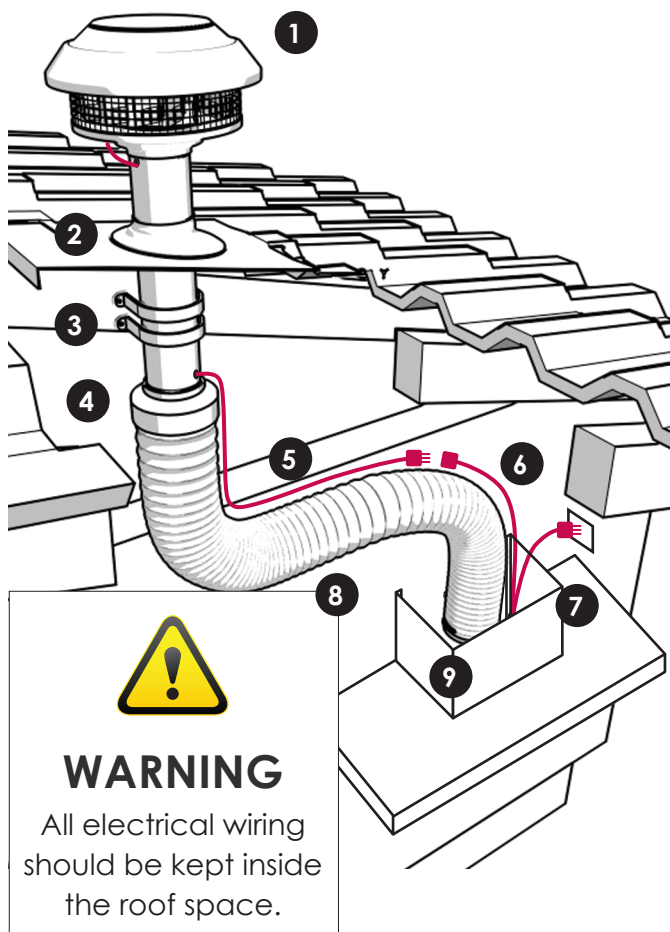


Flexible Ducting for Isodrive Motor System



For the Isodrive motor, please do not crush or kink flexi ducting, as it will reduce air flow and may cause noise to occur through the system. Ducting needs to be kept taut at all times. Please refer to the Isodrive motor installation guide for more details on flexi ducting with the silent system.

Overview



- ① Isodrive Motor
- ② Roof Seal Kit (Dektite)*
- ③ Support Straps*
- ④ Attach Flexi Duct to Bell-Mouth Adaptor using duct tape and cable tie. Please **DO NOT** rip the ducting.
- ⑤ Motor Power Lead (Male Plug)
- ⑥ Rangehood to Motor Lead (Female Plug)
- ⑦ Main Power Lead (Male Plug)
- ⑧ Flexi Ducting must be pulled taut. **DO NOT** crush or kink the ducting.
- ⑨ Connect flexi ducting to the outlet on rangehood using duct tape or cable tie. Please **DO NOT** rip the ducting.



WARNING

All electrical wiring should be kept inside the roof space.

***NOTE:** The Isodrive motor system does not include the roof seal kit, cable tie, duct tape or the support straps. The weather shield is only available for the Isodrive 1600 motor and needs to be attached directly to the motor (1).

Condensation Information

The induction cooktop is designed to provide rapid heating, improved thermal efficiency and greater heat consistency. For some customers with an induction cooktop, condensation can form on their rangehood filters while using their cooktop.

The induction cooktops' heat source is contained in the conductive base of the pot. When compared with a gas, electric or wok burner, the heat is not isolated or contained to one area and therefore gradually rises up on all sides of the pot or frypan. This combination allows the rangehood filters to warm up slowly and eliminate the formation of condensation. For induction cooktops, the immediate and contained heat source can produce vapours rapidly. This prevents the filters from gradually warming up and increases the chance of condensation forming.

There are many variables that can contribute to the condensation problem associated with induction cooktops and rangehoods. Some of these variables include, but are not limited to:

- The Country or State you live in (example, WA versus VIC, and the variables in daily temperatures)
- The position of your home and kitchen (morning/afternoon sun)
- The quality of pots and cookware you are using
- Height of rangehood
- Rapid heating
- Ducting angle
- Filter size

If induction, vitro-ceramic hobs and the like are not used correctly, they can lead to problems with the condensation of liquids due to temperature differences. After some time in use, these condensed liquids can build up and possibly appear on the metal filters or the bottom of the rangehood.

For advice to avoid condensation, please refer to next page.

User advice to avoid condensation in the rangehood:

- The rangehood should be switched on approx. 10 minutes prior to cooking and the delay shut down timer set after cooking has stopped in order to clear the fumes held in the flue. These steps will help clear the flue out fully.
- Do not cook at full power straight away, i.e. start on low or medium power for a while so that the steel in the rangehood can warm up.
- Filters must be kept clean. For induction cooktop users, aim to clean filters at least every 10 days, and replace the filters if their condition begins to deteriorate.
- There must be a constant flow of air into the cooking area to avoid the creation of a depression which can affect the rate of aspiration.
- Follow the advice from the instructions for induction systems with regards to the condensation effect.
- Suggested height for induction cooktop is approx. 750mm above the cooking surface.

Each person's circumstances are different, but the vast majority of induction cooktop owners have had no problems with condensation. However, it is important to understand that:

Neither the rangehood nor the induction cooktop are faulty. That in some circumstances, the combination of the rangehood, the induction cooktop and the many variables within your home, can lead to condensation forming on your rangehood filters. With a gas or standard electric cooktop, you should not have any condensation.

8. Maintenance

Troubleshooting

If the product does not work:

Before you contact the technical service department, make sure that the product is plugged in, the electric fuse (on selected models) is in correctly and electric wiring is connected. (Fuses can be purchased from your local electrical dealer or hardware store). Weak air suction may be caused by back draft fins remaining closed. Do not take any action that will damage the product.

	Check electric connection. Voltage of the electric network should be between 220 - 240V, rangehood should be connected to grounded plug and turned on.	Check motor switch. Please ensure that there is power to the rangehood and the rangehood is switched on.	Check lamp switch. Lamp switch should be at on position.	Check metal filter. Metal filter should be washed regularly, see filter cleaning.	Check lamps. Lamps should be firm.	Check outlet. Outlet should be open.	Check lamps and fuse. Make sure they are not broken or faulty.	Please make sure there is no obstruction in ducting or back draft fins.	Check the outlet, make sure it is not blocked and you have the correct diameter ducting installed.	Check Isodrive installation manual, make sure the flexi ducting is installed correctly, eg. Length of ducting used, keep the ducting taut.
Rangehood does not work	X	X								
Light does not work	X		X		X		X			
Rangehood air suction is weak				X		X		X	X	
Rangehood does not direct air out (through chimney)				X				X		
Loud noise from the rangehood									X	

Technical Specifications

Model	DS3170S
Feeding Voltage	220-240V 50Hz
Lamp Power — Halogen (W)	2 x 35W (supplied)
Lamp Power — LED (W)	2 x 1.4-7W (optional)

Calling the Technical Assistance Service Hotline

In the event that the failure is not due to the faults mentioned in Trouble Shooting, contact the Technical Service **0800 200 510**.

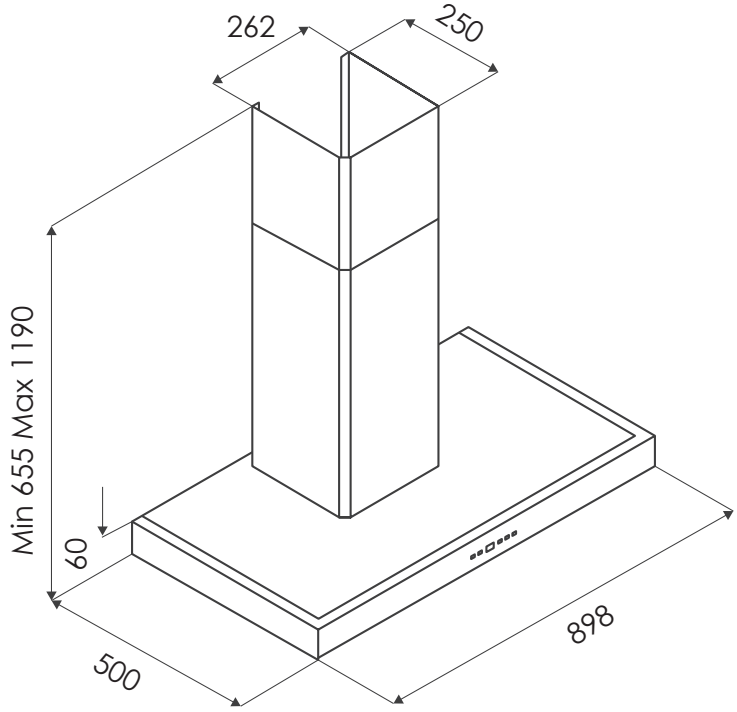
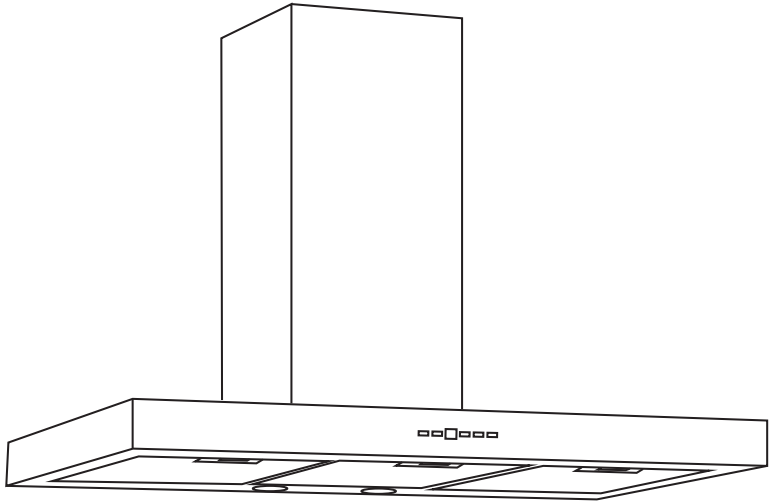
A service request will require the following information:

- The purchase date
- The rangehood model and motor type (eg. Isodrive 650)
- The rangehood serial number or batch number (this number is on a sticker inside the rangehood)

Faulty Installation

It is not the responsibility of Schweigen Home Appliances to rectify any incorrect installations. A service call out fee will be charged for any Schweigen technician that attends a call, whereby it's established that the fault is due to an incorrect installation or non-manufacturing fault. Should the appliance be installed in such a way that the service agent is unable to gain access to the appliance, the person/s who own the premises or the appliance where the appliance resides — will be responsible to provide access to the appliance at their expense.

9. Specification

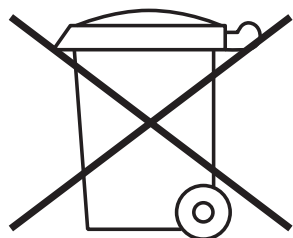


Under our policy of continuous product development, product specifications may change without notice. Prospective purchasers should therefore check with the retailer to ensure this publication correctly describes the products being offered for sale. All information supplied is to be used for general reference purposes only and is on the understanding that Schweigen Home Appliances will not be liable for any loss, liability or damage of whatever kind arising as a result of any reliance upon such information. All pictures used in the guide are for illustrative purposes only.

Although our information and marketing states the term 'Silent' for certain models, the following applies to various models that are sold with the IsoDrive System. When a model with the larger motored IsoDrive System is operated at the higher speed/s air movement may be heard. For example, while operating on speed 4 & 5 (For 5 speed models) the rangehood can be audible due to the large amount of air movement.

*Please make sure that the rangehood and motor have been installed as per the instruction guides in order for optimal performance.

Schweigen Home Appliances has presented this information in good faith to all their retailers and distributors to convey before any/all purchase/s. Information is supplied upon the condition that the person/s receiving the information will make their own determination as to its suitability for their purpose/s prior to use. In no event will Schweigen Home Appliances be responsible for damages of any nature whatsoever resulting from the use of, or reliance upon, information from their website or the products to which the information refers.



The symbol on the product or its packaging indicates that it cannot be treated as normal household waste. Take this product to your nearest electrical and electronic equipment waste point for recycling. By correctly disposing of this product, you will be helping to prevent potentially negative consequences for the environment and public health, which could arise if this product is not handled in the appropriate way. For more details about the recycling of this product please contact the authorities of your city or town, your local household waste service or the store where you purchased the product.

schweigen

Australia 8/3-4 Anzed Court, Mulgrave 3170 Victoria. **Phone** 1300 881 693
Email sales@schweigen.com.au **Web** www.schweigen.com.au

New Zealand 5 Tolich Place, Henderson, Auckland 0610. **Phone** 0800 200 510
Email info.parex@emerson.com **Web** www.parex.co.nz



Distributed by Axis Group International Pty Ltd.
ACN 124 141 322