

RANGEHOODS

>> SILENT UNDERMOUNT RANGEHOOD

with automatic power-off // **KLS-9GLBLKS, KLS-9GLASS**

schweigen



Glass Finish

Sleek in design, our glass finish comes in both black and white glass to suit every kitchen.



Dishwasher Safe Stainless Steel filters

Durable materials that (when regularly maintained) can be run through your dishwasher.



Automatic Power-off

Select this function and the hood will switch off automatically after 15 minutes.



Perimeter Aspiration

Uses an additional panel to create a venturi effect, which helps capture smoke, steam, grease and oil more effectively.



Silent Motor System, up to 1600m³/hr

Enjoy cooking in peace without motor noise from your appliance.



Strip LED illumination

LED lighting system allows for safe, clear vision while cooking.



4 Extraction Speeds with Touch Sensitive Control

From mild Western style cooking to traditional Eastern cuisine, select the speed that best suits your needs.



www.schweigen.co.nz

RANGEHOODS

>> SILENT UNDERMOUNT RANGEHOOD

with automatic power-off // **KLS-9GLASSBLKS, KLS-9GLASS**

DESCRIPTION

- black or white glass
- easy-remove, dishwasher safe aluminium filters
- automatic power-off
- Perimeter Aspiration
- silent Isodrive® motor
- powerful, silent operation
- strip LED illumination
- 4 extraction fan speeds with touch sensitive control
- filter clean indicator
- 5 Year Warranty

TECHNICAL DATA

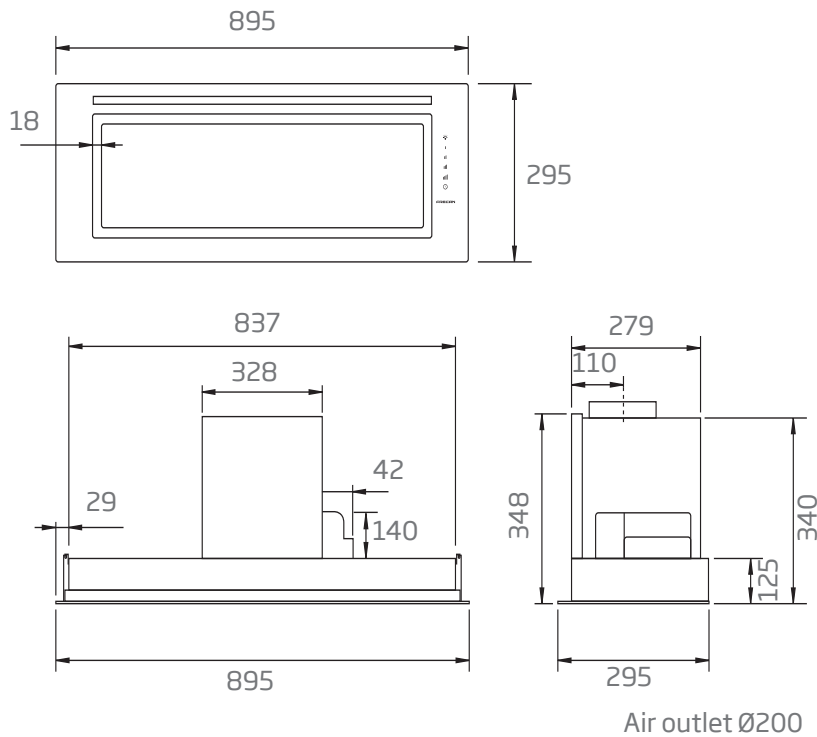
- product dimensions: (W x D) 895 x 295mm
- 1 x aluminium filter
- 1 x strip LED light

ISODRIVE POWER OPTIONS

- **ST** - single external motor, 900m³/h airflow, 200mm flexi ducting (6m), install roof/wall
- **SP** - single external motor, 1600m³/h airflow, 200mm flexi ducting (6m), install roof/wall
- **SE** - single external motor, 3200m³/h airflow, 200mm flexi ducting (6m), install roof/wall
- 10 Year Warranty

MODEL OPTIONS

KLS-9GLASS,
895 x 295mm, white glass
KLS-9GLASSBLKS,
895 x 295mm, black glass



INSPIRING
INNOVATIVE
INTELLIGENT