



Silent Bathroom Fan Systems 2021 Range

schweigen



Pictured – Schweigen Enlight Vent

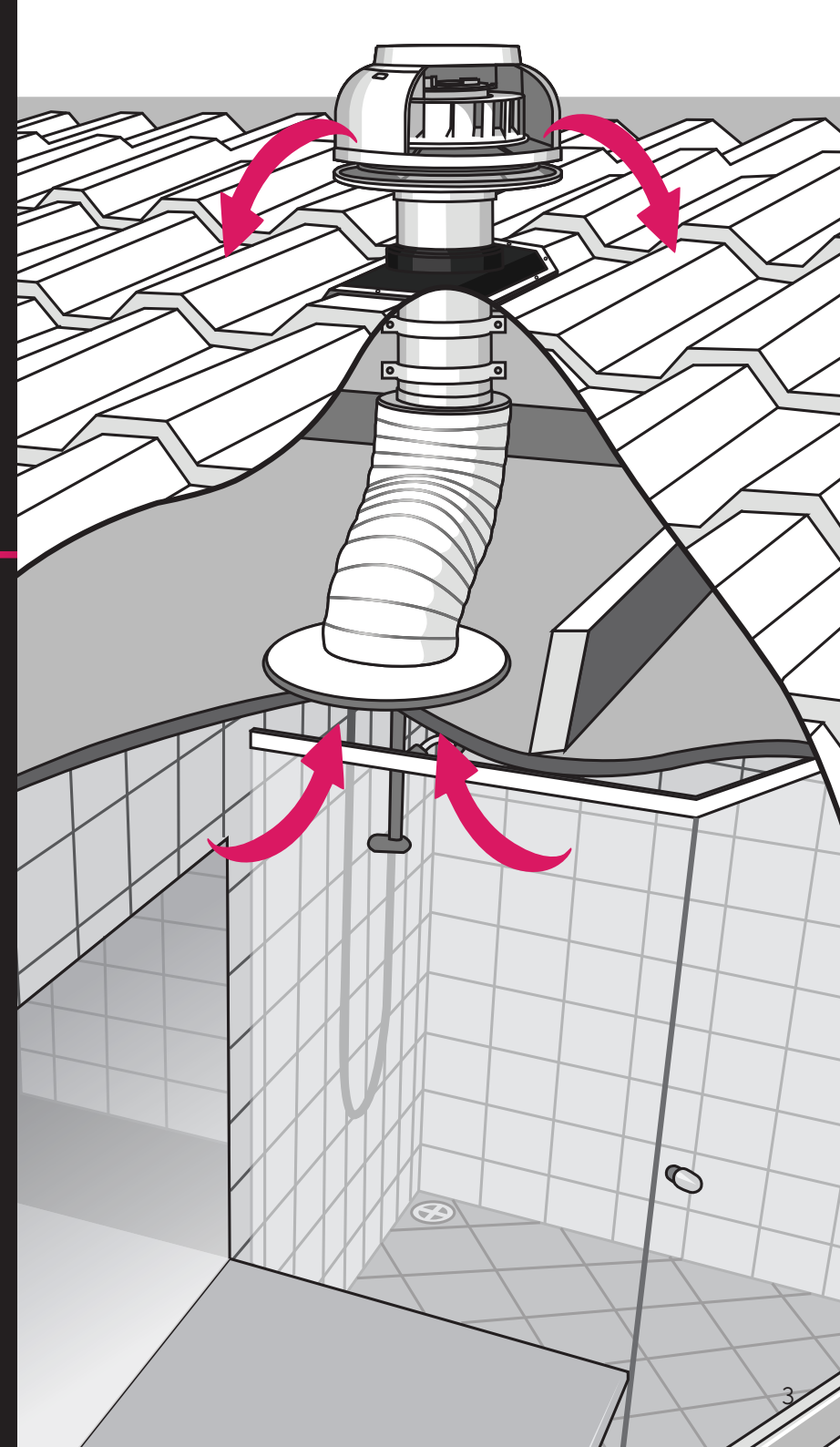
Schweigen effortlessly removes steam and odours from your bathroom...silently.

This is done by installing the motor outside the house.

Schweigen, the makers of New Zealand's first silent kitchen rangehoods, now offer a range of powerful bathroom extraction fans featuring the same silent technology.

The Schweigen Silent Bathroom Fan range removes steam and odours in seconds, preventing condensation and protecting your bathroom investment. And with a range of modern vent styles, Schweigen will compliment any bathroom design.

But they're not only for bathrooms. The Schweigen Silent Bathroom Fan range is the perfect solution for removing odours or preventing condensation in laundries, offices and garages too.



Schweigen Silent Bathroom Fan - Features

Silent

The German manufactured IsoDrive motor removes steam and odours quickly and quietly. With the motor mounted on the outside of the home, you won't even know it's on.

The Most Powerful Extraction in New Zealand

With up to 900m³/hr (250 l/s) of air extraction, the IsoDrive motors efficiently remove steam and odours while eliminating condensation from mirrors, glass and windows.

Fresh & Hygienic Mould Prevention

Helps in the prevention of mould build-up by hygienically removing steam, odours and airborne bacteria without the use of harmful chemicals, leaving your bathroom clean and fresh.

Exceeds Government Regulations

Schweigen extraction systems exceed the ventilation standards of the NZ Ministry of Housing and Urban Development as well as section 138B of the Residential Tenancies Regulations 2019 (Healthy Homes Standards) stating that for a bathroom:

- (a). the fan and all exhaust ducting must have a diameter of at least 120 mm
- (b). the fan and all exhaust ducting must have an exhaust capacity of at least 25 l/s (90m³/hr)

Energy Efficient

New Zealand's most energy efficient venting system, using only 62 watts of electricity.

Two Room Extraction

Each of our systems in the range can be purchased in a two room configuration, capable of providing extraction for two adjacent rooms with one motor. They also come with an option of two motor sizes.

5 Year In-Home Warranty

Schweigen offers the peace of mind of a comprehensive 5-year In-Home Warranty on the IsoDrive motor.

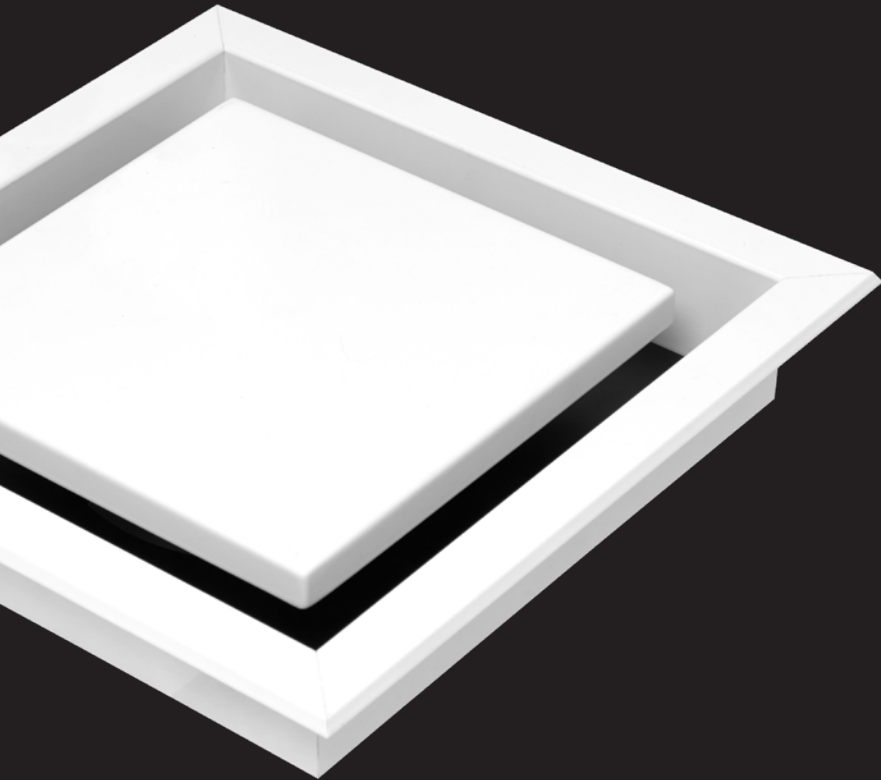
Pictured – Schweigen Haven Vent



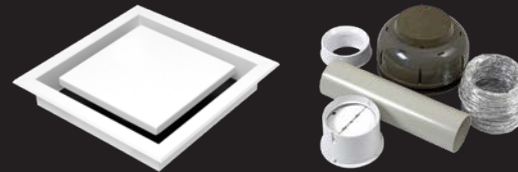


Schweigen Haven - Silent Bathroom Fan System

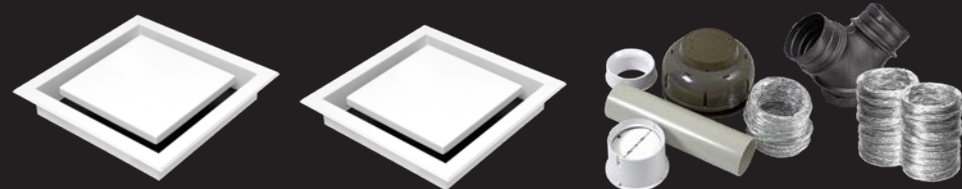
The Schweigen Haven model retrofits into an existing ceiling. The system comes with a New Zealand-made square metal ceiling vent and an option of one or two room extraction. All systems come with necessary ducting.



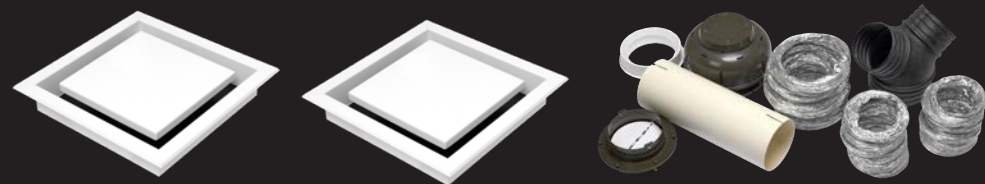
Haven Single Room - 650m³/hr Motor - Product Code: BR500HV



Haven Double Room - 650m³/hr Motor - Product Code: BR500HVY



Haven Double Room - 900m³/hr Motor - Product Code: BR900HV



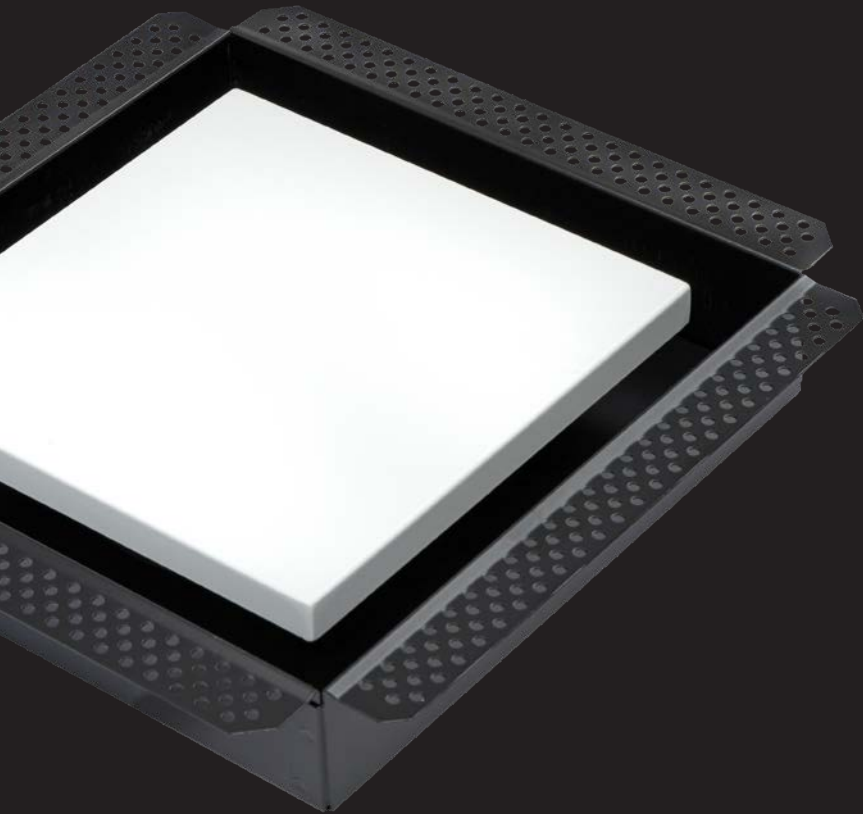
Dimension of Vents: Outer Frame - 300mm x 300mm Diffuser - 200mm x 200mm
All ducting supplied comes in 3-metre lengths.



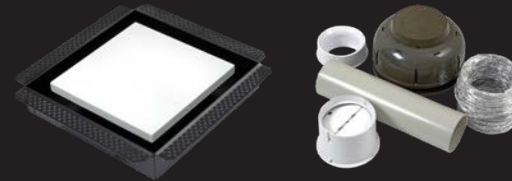
Pictured – Schweigen Repose Vent

Schweigen Repose - Silent Bathroom Fan System

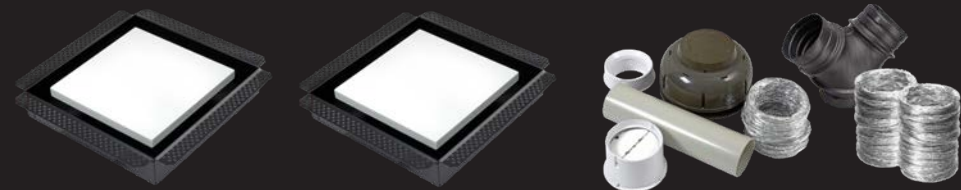
The Schweigen Repose is designed for new builds and is plastered into the ceiling offering a seamless finish. The system comes with a New Zealand-made square metal ceiling vent and an option of one or two room extraction. All systems come with necessary ducting.



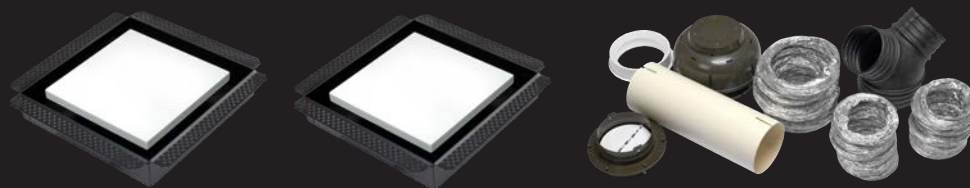
Repose Single Room - 650m³/hr Motor - Product Code: BR500RP



Repose Double Room - 650m³/hr Motor - Product Code: BR500RPY



Repose Double Room - 900m³/hr Motor - Product Code: BR900RP



Dimension of Vents: Outer Frame - 315mm x 315mm Diffuser - 200mm x 200mm
All ducting supplied comes in 3-metre lengths.

Pictured – Schweigen Enlight Vent



Schweigen Enlight - Silent Bathroom Fan System

The Schweigen Enlight retrofits into an existing ceiling with the added feature of an LED light. Great for all bathrooms, but ideal for smaller rooms where the Enlight system eliminates the need for an additional light fixture. The system comes with a square ceiling vent with LED light and an option of one or two room extraction. All systems come with necessary ducting.



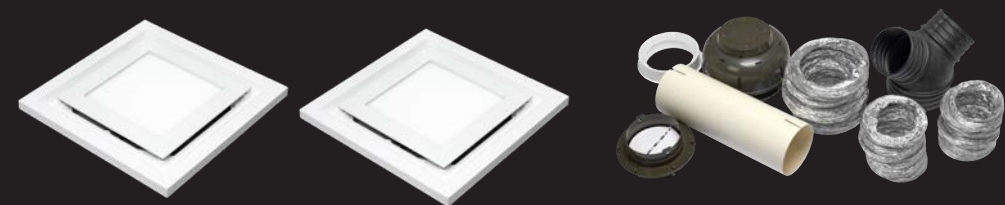
Enlight Single Room - 650m³/hr Motor - Product Code: BR500EL



Enlight Double Room - 650m³/hr Motor - Product Code: BR500ELY



Enlight Double Room - 900m³/hr Motor - Product Code: BR900EL



Dimension of Vents: Outer Frame - 270mm x 270mm Diffuser - 195mm x 195mm
All ducting supplied comes in 3-metre lengths.



Pictured – Schweigen Classic Vent



Schweigen Classic - Silent Bathroom Fan System

The Schweigen Classic is the base model and retrofits into an existing ceiling. The system comes with a standard round ceiling vent, a German-made IsoDrive Motor. All systems come with 3 metres of 150mm ducting.



Classic Single Room - 650m³/hr Motor - Product Code: BR500



Classic Double Room - 650m³/hr Motor - Product Code: BR500CLY

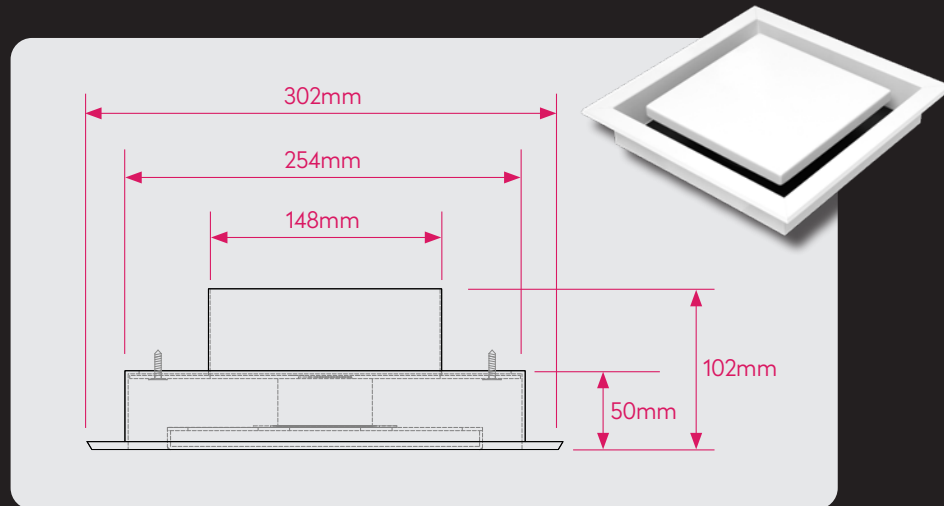


Classic Double Room - 900m³/hr Motor - Product Code: BR900CL

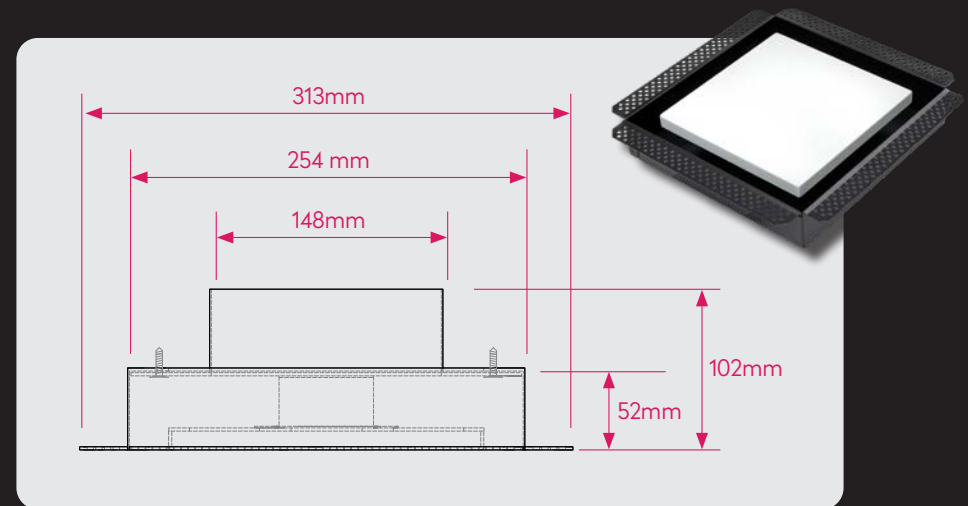


Dimension of Vents: Outer Diameter - 265mm Diffuser Diameter - 185mm
All ducting supplied comes in 3-metre lengths.

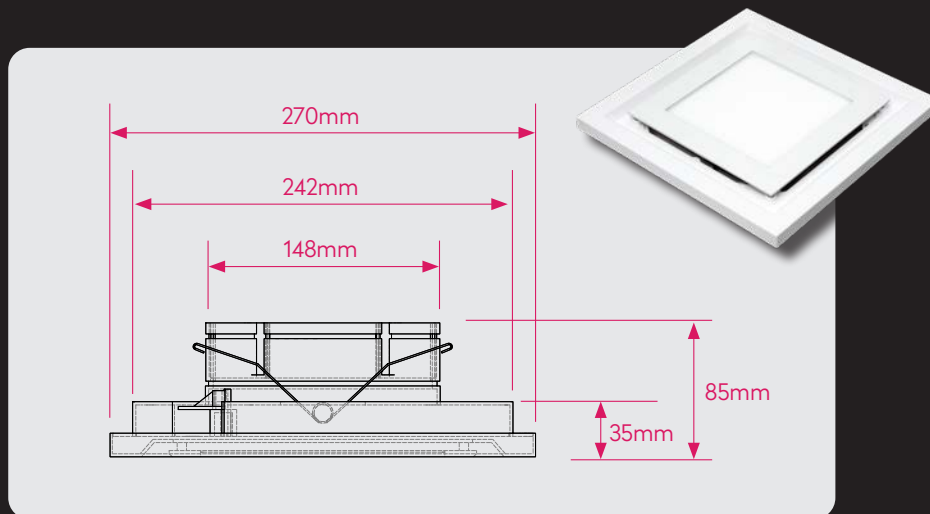
Schweigen Silent Bathroom Fan Vent - Dimensions



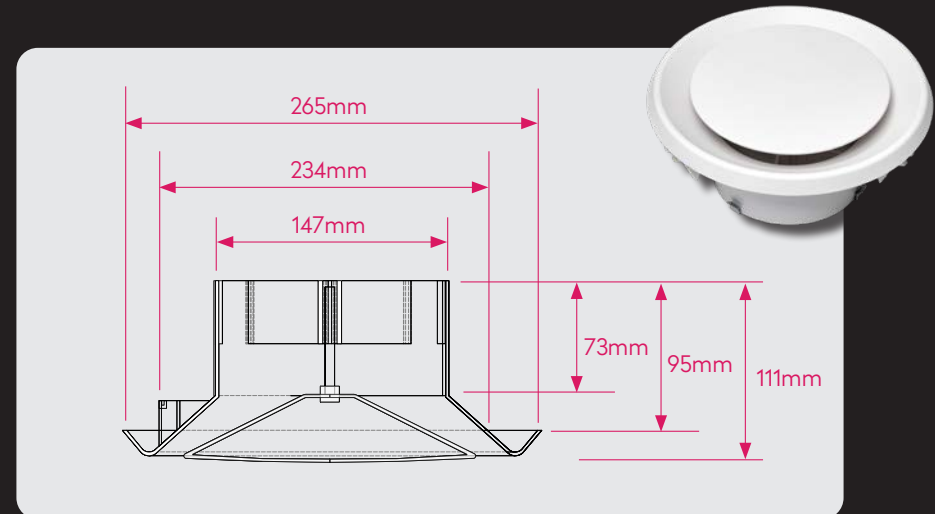
Schweigen Haven Vent



Schweigen Repose Vent



Schweigen Enlight Vent



Schweigen Classic Vent

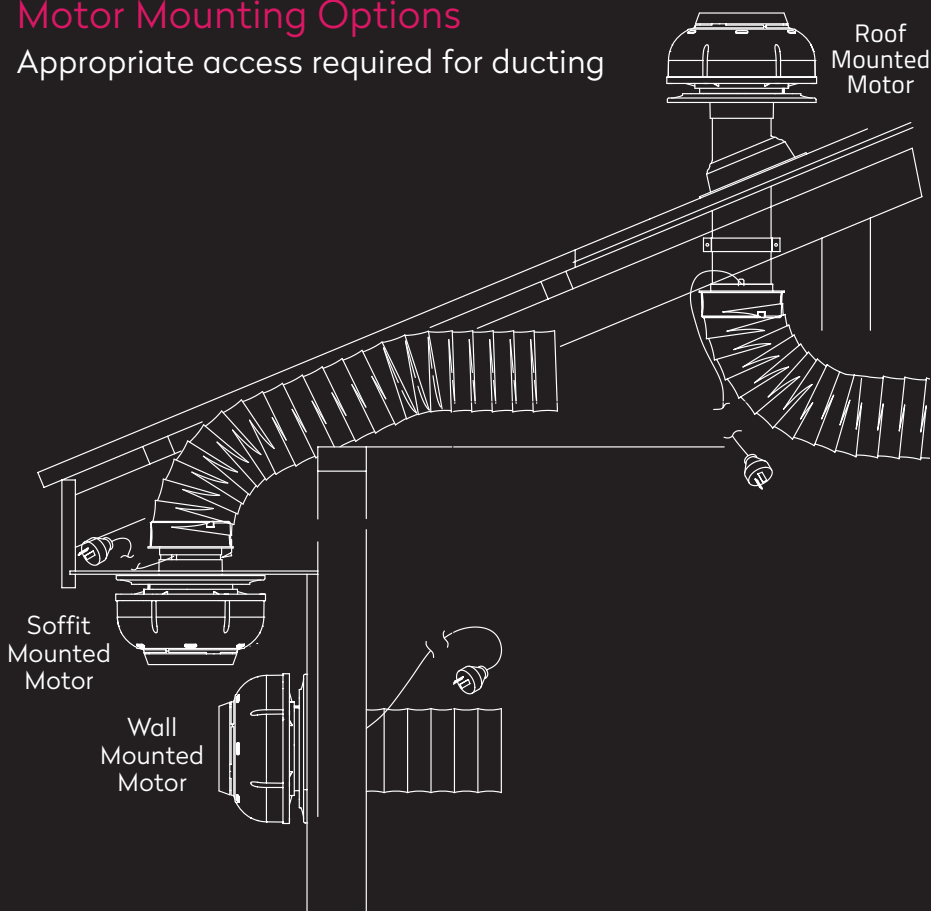
Under our policy of continuous product development, product specifications may change without notice. All information is supplied is to be used for general reference purposes only and Parex Industries will not be liable for any loss, liability or damage arising as a result of any reliance upon such information.

Schweigen Silent Bathroom Fan - Installation Options

Schweigen provides several motor mounting options - roof, soffit or wall mounted. Schweigen also offers a two-room solution by simply adding a Y-connector and a second vent. The two-room system has the option of a 600m³/hr (180 l/s) or 900m³/hr (250 l/s) motor and will efficiently vent a bathroom as well as an adjacent toilet or laundry room...with a single motor.

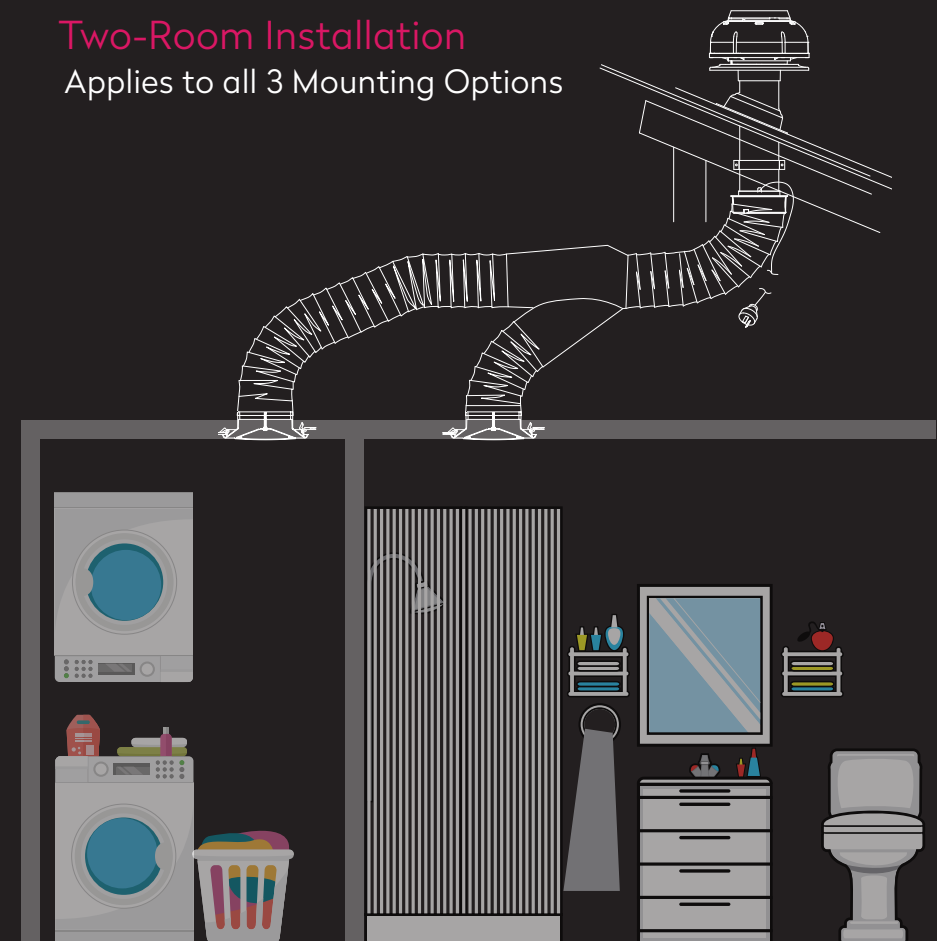
Motor Mounting Options

Appropriate access required for ducting



Two-Room Installation

Applies to all 3 Mounting Options



Trouble Free Installation

Planning is the key to a trouble free installation. Schweigen has a network of preferred installers throughout New Zealand that can guide you through the process.

Here are a few questions that will help you make the best selection:

1. Do you require single room or two room extraction?
 - Select from a variety of models with different vent options.
2. What ceiling vent will look best for your bathroom?
 - Select from a variety of models with different vent options.
3. Where will the IsoDrive Motor be installed?
 - In most cases, the roof will be the easiest installation, but wall and eave mounting options are possible in some cases.
4. How is the fan operated?
 - The system is operated by either an independent switch or integrating it into an existing wall switch. For installation questions, please contact Parex Industries on 0800 200 510.



Silent Bathroom Fan Systems

To find out more about the Schweigen Bathroom Fan Systems contact:
Parex Industries Ltd on Phone: 0800 200 510 or email info.parex@emerson.com

schweigen

schweigen.co.nz