

RANGEHOOD & INSTALLATION GUIDE

# WM-EX90S

**schweigen**

[www.schweigen.co.nz](http://www.schweigen.co.nz)

# 1. Welcome

Thank you for purchasing this Schweigen appliance.

To achieve the optimal performance from your appliance, and to avoid the risk of accident or damage, it is essential to read this manual before installation and first time use.

This guide contains important information on the use and maintenance of the appliance, as well as important safety notes.

Your appliance has been thoroughly checked for safety and functionality before being packaged and leaving the manufacturer.

**Please keep this instruction manual in a safe place so you can refer to it at any time.**

## IMPORTANT!

The appliance should only be operated when you have read and understood this manual thoroughly.

The appliance can be only used for the purpose for which it was designed. Any other use is improper and can be dangerous.

Installation and maintenance of electrical appliances should only be carried out by qualified and authorised professionals familiar with Australian Appliance Industry regulations.

Upon collection or delivery of your appliance, any damage or defects **must** be reported within **48 hours** to your retailer or Schweigen Customer Service, in order to **recognise any claim**.

The manufacturer reserves the right to introduce product improvements, which do not affect the operation of the appliance.

<b>1. Welcome</b>	<b>2</b>
<b>2. Important safety information</b>	<b>4</b>
<b>3. Description</b>	<b>7</b>
<b>4. Installation</b>	<b>8</b>
<b>5. Operation</b>	<b>15</b>
<b>6. Cleaning and maintenance</b>	<b>16</b>
<b>7. Troubleshooting</b>	<b>19</b>
<b>8. Technical specifications</b>	<b>22</b>
<b>9. Disclaimer</b>	<b>23</b>

## 2. Important safety information

Please read the instructions carefully. Only then will you be able to operate your appliance safely and correctly. Retain the instruction manual for future use or for subsequent owners.

Check the appliance for damage after unpacking it. Do not connect or install the appliance if it has been damaged in transport.

### **Any damage must be reported within 48 hours.**

There must be adequate ventilation in the room when the rangehood is used at the same time as appliances burning gas or other fuels.

The air must not be discharged into a flue that is used for exhausting fumes from appliances burning gas or other fuels.

Air exhaust systems must be installed in accordance with local and federal laws.

There is a fire risk if regular cleaning is not carried out in conjunction with the instructions.

Do not flambé (ignite food while cooking) under the rangehood. This will damage the rangehood and will void warranty.

Do not ignite burners that give off intense uncontrolled flames beneath the rangehood.

Flames beneath the pan must be contained at all times and cannot exceed the width of the pan in use.

Do not leave any packaging material (bags, corner brackets etc.) within reach of children.

This appliance is not intended for use by person/s (including children) with reduced physical, sensory or mental capabilities, or lack of experience and/or knowledge. Unless, the person is given supervision or instruction concerning the safe usage of the appliance by person/s responsible for their safety. Children must be supervised to ensure that they do not play with the appliance, it is not a toy.

Accessible parts may become hot when used with cooking appliances.

Before performing any cleaning or maintenance, disconnect the rangehood from the mains power, using the respective mains or sector switch, or by unplugging it.

Do not use the rangehood without the grease filters.

Keep the grease filters clean and respect the recommended cleaning frequencies.

It is forbidden to use the rangehood as an aspirator.

### Before Installation

We recommend this appliance be installed or repaired by a qualified Schweigen Home Appliances technician.

Please see our website [www.schweigen.co.nz](http://www.schweigen.co.nz) for a list of our recommended installers.

It is dangerous to modify any part of this appliance. Modification of any kind will immediately void the warranty.

The manufacturer declines all responsibility in case of failure to adopt proper safety measures.

Ensure that the location in which this appliance is installed, has good and permanent ventilation.

Please consult local laws and regulations and install in accordance.

Please use an earthed electrical connector that coincides with relevant local laws and regulations.

Check that the power voltage in your area corresponds to the appliance voltage indicated on the rating label.

This appliance must be connected to an electrical supply that has a **grounded connection**.

Check that the indicated instructions and local regulations are met and carried out by a qualified technician, using materials that are compliant with the applicable legislation.

Schweigen will not be responsible for any installations executed by non-qualified technicians that fail to heed the applicable legislation on electrical safety.

The electrical technical data can be found inside the rangehood, after removing the grease filters.

The flexible power cables supplied are already connected internally and emerges from the rangehood near the air outlet tube.

### Before installing the electrical connections, you should:

- Verify that the indicated electrical data coincides with the voltage values and frequency of the electrical circuit in the house where the rangehood is to be installed.
- Check that the premises has electrical protection against short circuits and electrocution.
- Before commencing maintenance the current must be turned off using the double-pole switch (mains power switch). The power can only be turned on for normal use, once the operation has been completed.
- Ensure the supply cord is not exposed to heat, chemicals or sharp objects. If the supply cord is damaged, it must be replaced by the manufacturer, service agent or a similarly qualified person in order to avoid a hazard.

## 2. Important safety information

### Product Use

The Rangehood has one mode of operation:

**Air extraction:** The air is drawn in by the rangehood, filtered through the grease filters, and then expelled outside. Please check the cleaning and maintenance section for advice on the filter's cleaning schedule.

This product is designed for household use and must not be used for commercial applications.

After use, always ensure that all controls are in the "OFF" position.

Never flambé any food beneath the rangehood.

Always switch off the power source and unplug the connection before conducting maintenance or cleaning.

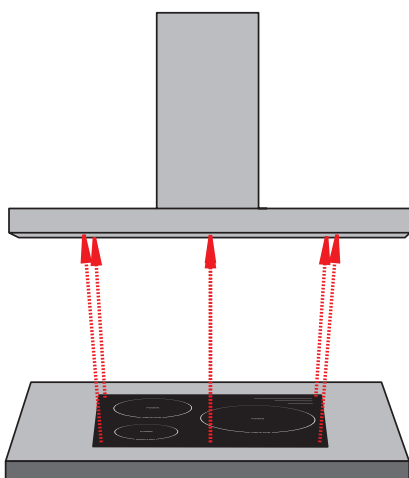
Respect the cleaning frequencies and intervals for changing the filters, otherwise, the accumulated grease could cause a fire or damage to the appliance.

Changes made to the steel surface will render the warranty invalid.

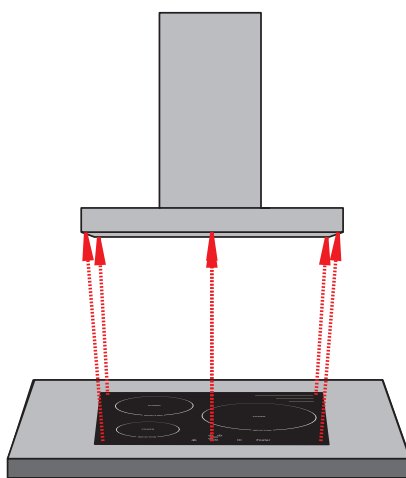
In addition to the size of the rangehood, the height of the rangehood above the cooktop is important to obtain the best performance.

For recommended heights, please refer to Mounting Laws and Regulations.

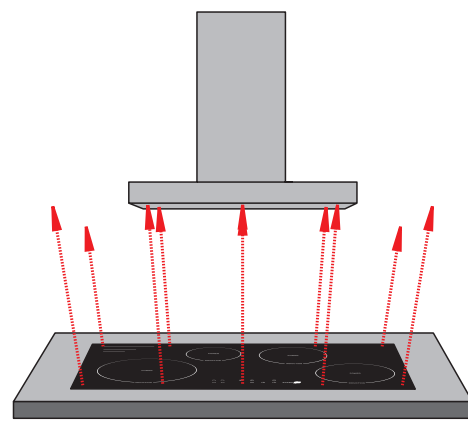
### Match the Rangehood Size to your Cooktop



Rangehood larger than  
cooking zone  
**OPTIMAL**



Rangehood same size as  
cooking zone  
**ADEQUATE**

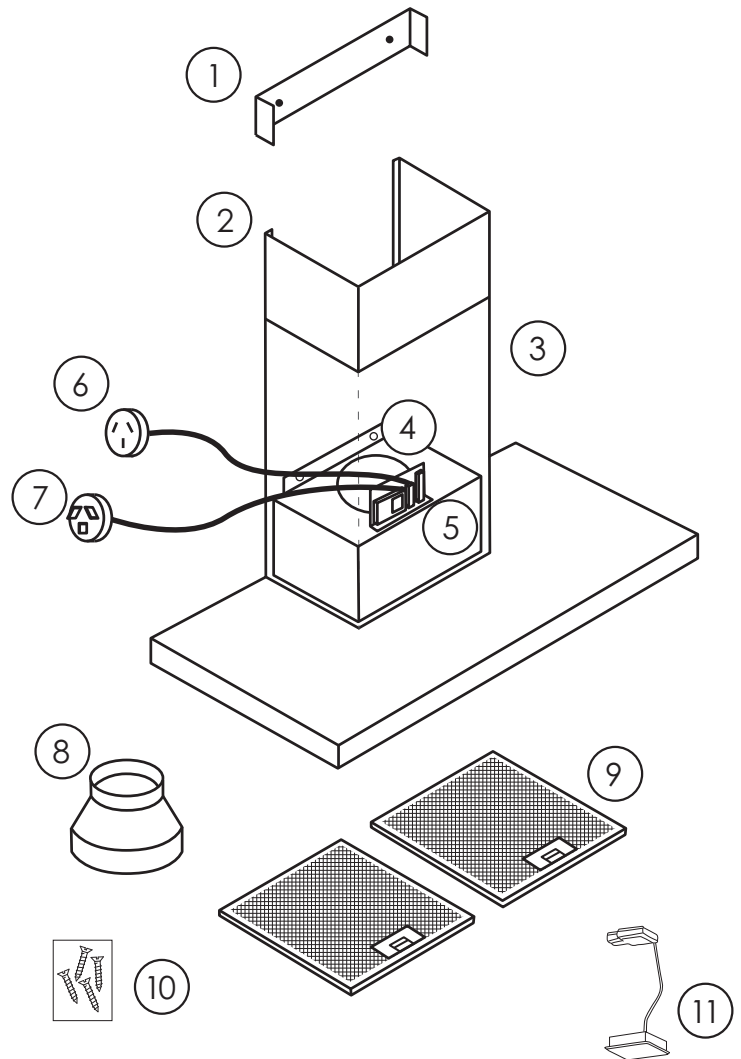


Rangehood smaller than  
cooking zone  
**INADEQUATE**

## Rangehood

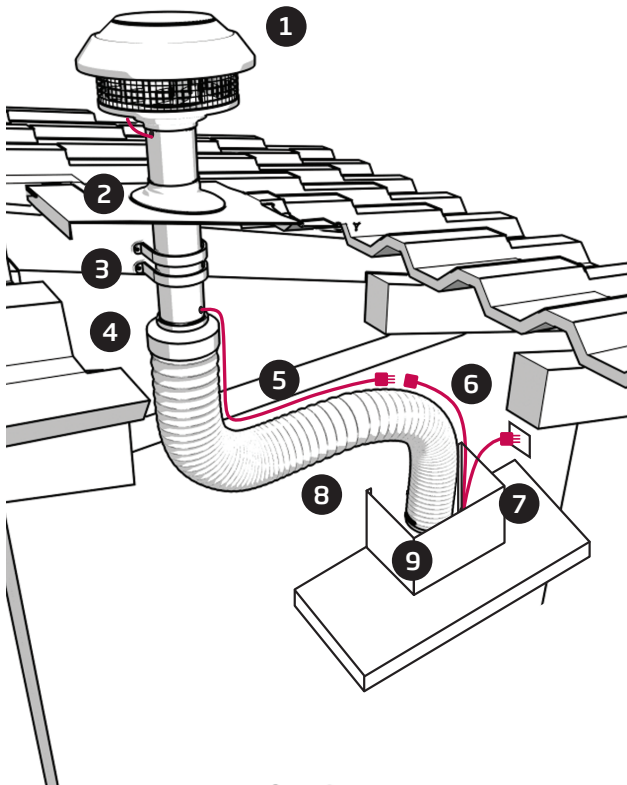
- ① Flue Wall Mounting Bracket
- ② Extension Flue
- ③ Main Flue
- ④ Single Outlet 200mm
- ⑤ PCB (computer) Board
- ⑥ Connect to the Isodrive motor system
- ⑦ Male Plug (Connect to Mains Power 240V 10 Amp)
- ⑧ Reducer
- ⑨ Filters
- ⑩ Screw Pack

**NOTE:** Filter and light type quantity may vary from model to model.



## 4. Installation

### System Overview



Pictures are for illustrative purposes only, not to scale.



### DANGER

All electrical wiring from the motor to the rangehood should be kept inside the roof space.

1. Isodrive Motor
2. Roof Seal Kit (Dektite)\*
3. Support Straps\*
4. Attach Flexi Duct to Bell-Mouth Adaptor using cable tie or ring clamp. Please **DO NOT** rip the ducting.
5. Isodrive Motor Power Lead (Male Plug)
6. Rangehood to Isodrive Motor Lead (Female Plug)
7. Main Power Lead (Male Plug, 10 Amp)
8. Flexi Ducting must be pulled taut. **DO NOT** crush or kink the ducting.
9. Connect flexi ducting to the outlet on rangehood using cable tie or ring clamp. Please **DO NOT** rip the ducting.

**\*NOTE:** The Isodrive motor system does not include the roof seal kit, cable ties, ring clamp or the support straps.

**Note:** The general power outlet for the rangehood should be located in an easy to access area.



**⚠ DANGER**

Always switch off and disconnect main power before installing the rangehood. Failure to do so may cause serious injury.

## Mounting Laws and Regulations

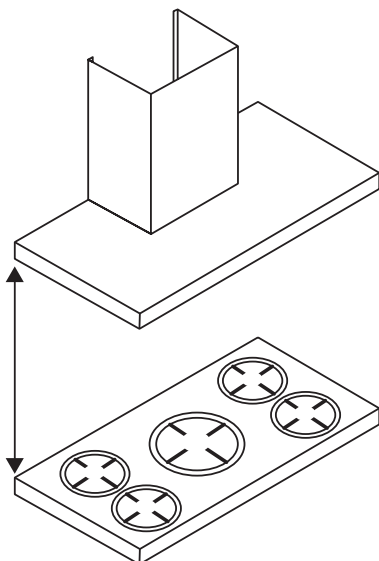
- The location of the installation must have permanent openings for ventilation.
- Regulations concerning the expelling of air must be fulfilled.
- It is **STRONGLY RECOMMENDED** that the rangehood be installed centrally over the cooktop, this will greatly improve its performance.

**Minimum** and **maximum** heights (cooktop-to-canopy) are **legally** required, and recommended for optimum rangehood performance in an indoor kitchen

Type of Cooktop	Min. Height	Max. Height	Notes
Electric	650mm	750 to 800mm	Installation heights above 800mm will compromise extraction.
Gas	650mm	750 to 800mm	

## installation height for Induction Cooktop

Type of Cooktop	Min. Height*	Max. Height	Notes
Induction	700mm	800mm	* Schweigen's recommended height will help avoid condensation, particular to cooking with an Induction Cooktop. Refer to additional notes.



**Measurements are taken from the top of the trivets to the lowest part of the rangehood.**

**⚠ \* IMPORTANT**

Please check all State and Federal Laws in relation to both the minimum and maximum installation height, and the regulations concerning the expelling of air, and install your rangehood in accordance.

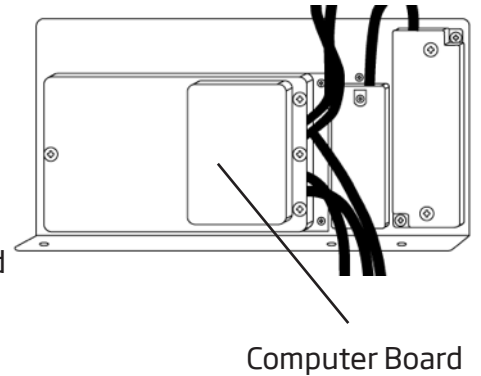
## 4. Installation

### Attaching the Computer Board and wiring BRACKET (Certain models only)

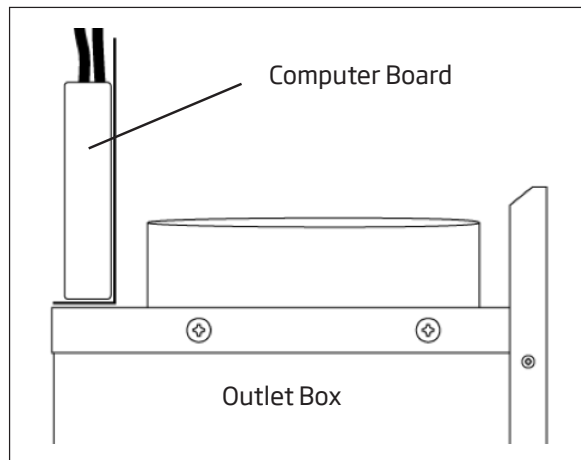
Before you install the rangehood, you may need to connect the computer board and wiring bracket to the main body of the rangehood.

1. Attach the computer board to the outlet box using the screws provided.
2. Position the computer board facing out from the outlet (see figure A), align the holes when attaching the computer board (figure B) and secure using screws provided.

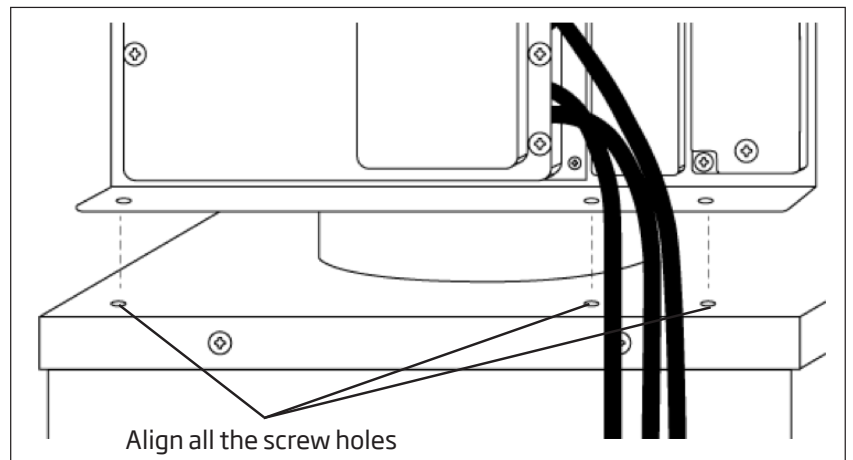
**NOTE:** Some of the models only have two screw holes.



**Figure A**

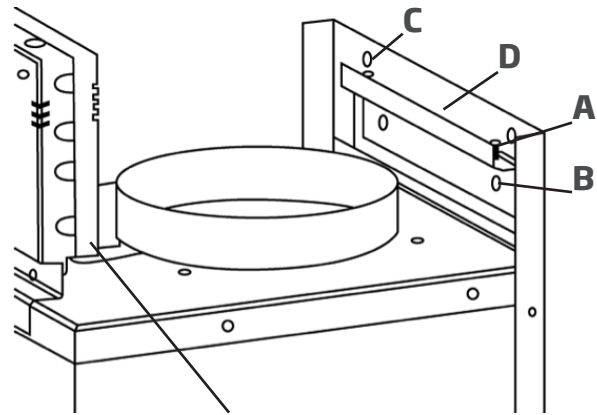


**Figure B**



## Installing the rangehood

- A – Rangehood levelling screw points
- B – Main support bracket, wall screw points
- C – Second rangehood screw points
- D – Main support bracket

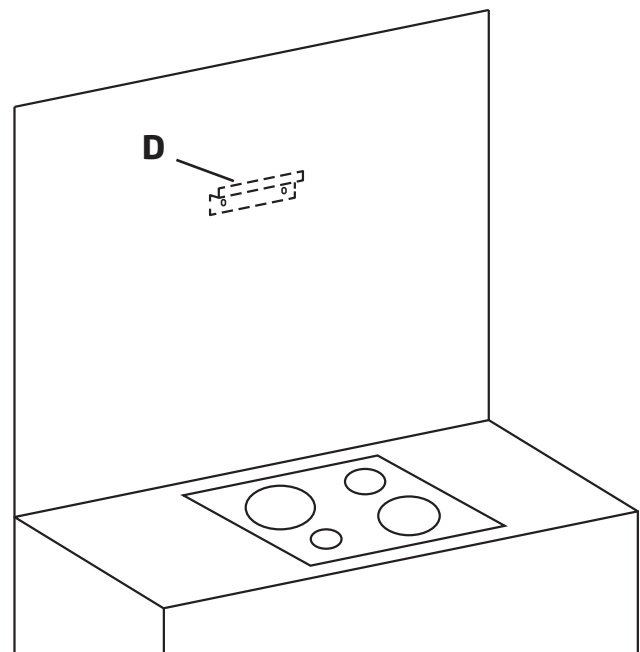


**NOTE:** Some models might need the computer board and wiring bracket to be attached, see page 10.

### Step 1

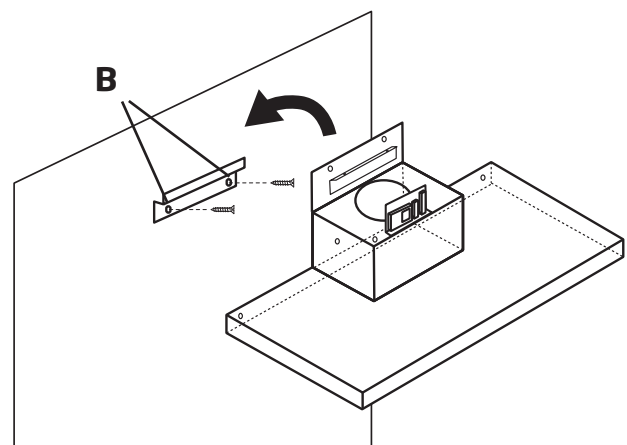
Measure the position on the wall where the bracket is to be inserted following the height recommendations indicated in the mounting laws and regulations section.

Draw a line and mark the position of the holes that must be made, make sure it is level and fixed (**D**) to a supporting beam.



### Step 2

Once secured using the screws (**B**), hang the rangehood onto the main support bracket.

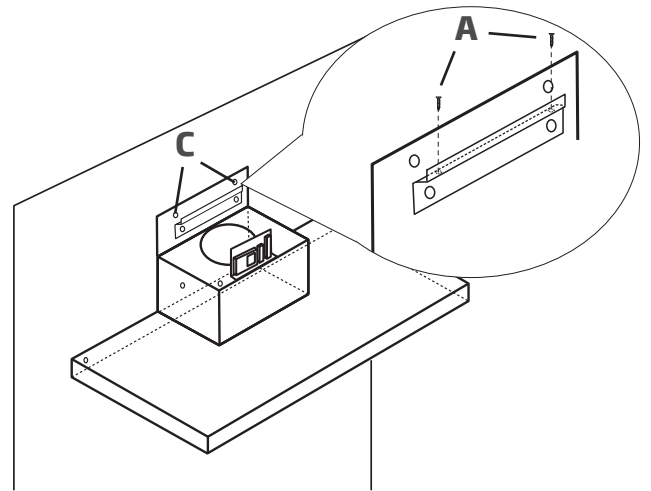


## 4. Installation

### Step 3

Using a leveller, level the rangehood using screws (A).

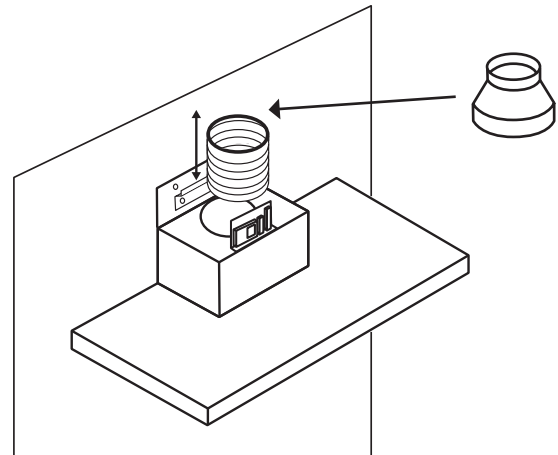
Once levelled, secure it firmly to the wall (C) using the appropriate screws.



### Step 4

Feed through and secure the flexi ducting from the rangehood outlet to the Isodrive motor.

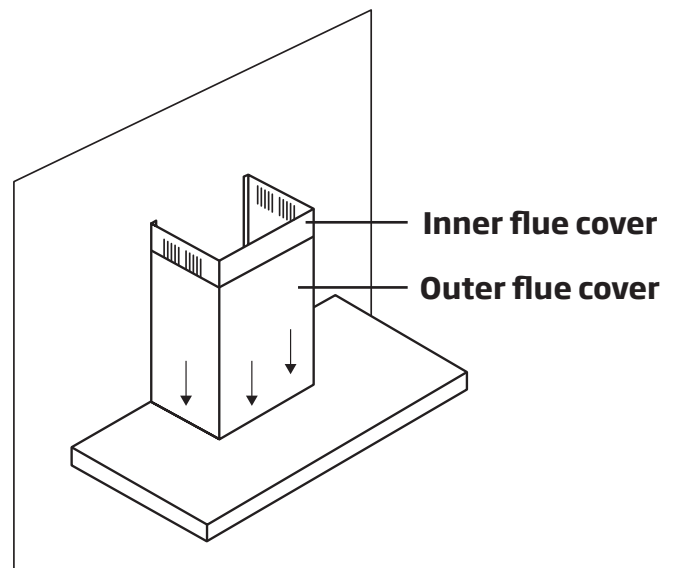
- *The reducer is to be placed on top of the 200mm outlet on the rangehood when using a 650 Isodrive motor only.*



### Step 5

Place flue covers onto the rangehood and adjust the height of the flue covers by sliding the outer flue cover down.

**NOTE:** The outer flue cover section alone will not cover the entirety of the control box and PCB computer board.



## Step 6

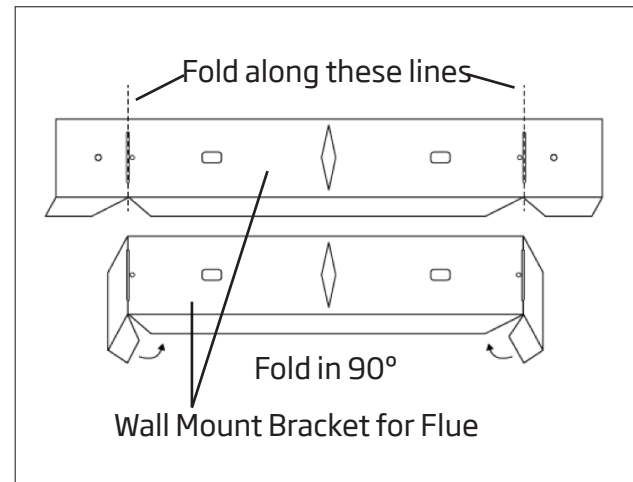
### Install the wall flue bracket.

1. Fold both ends to 90° as shown figure 1.
2. Install the bracket to the wall at the correct height, see figure 2.
3. Attach flue cover to the bracket, see figure 3.

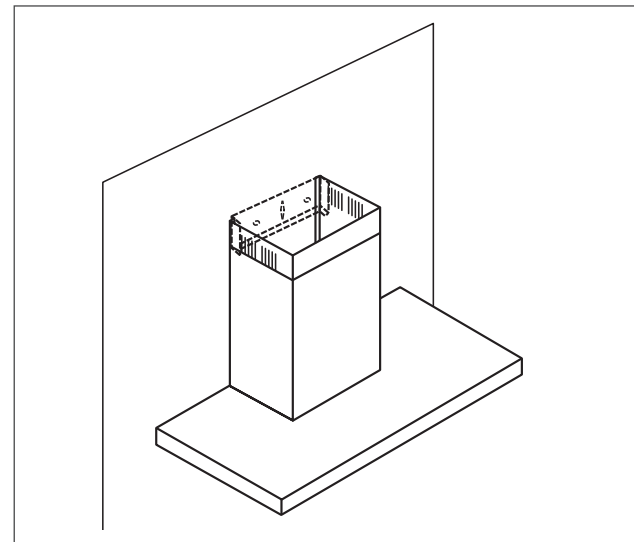
### Important

Please ensure all plastic protection on the rangehood and filters is removed before use.

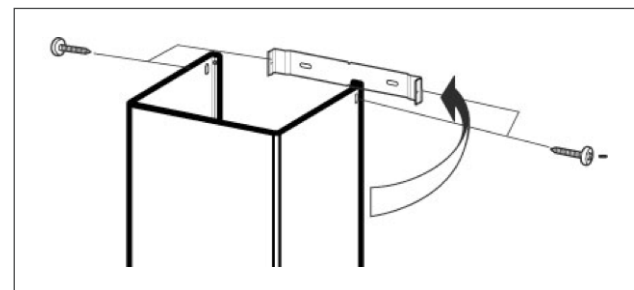
### Figure 1



### Figure 2



### Figure 3



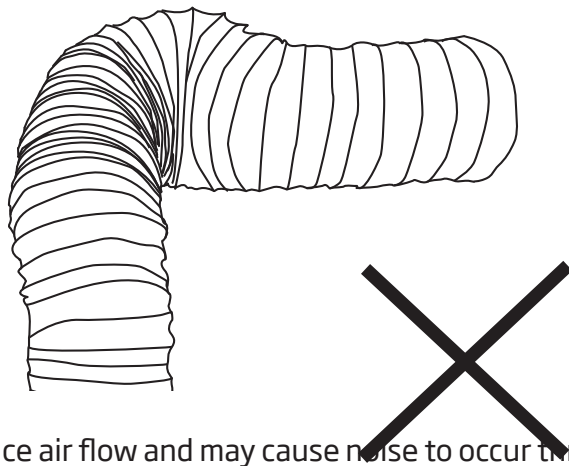
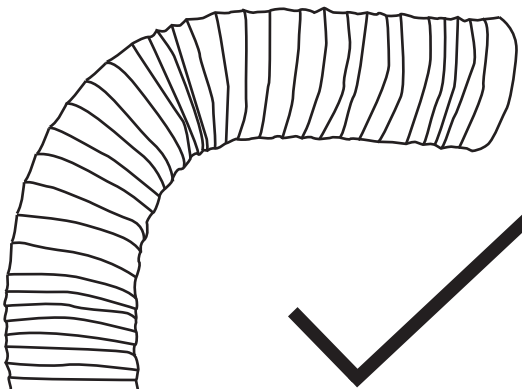
## 4. Installation



### IMPORTANT

Please ensure all plastic protection on the rangehood and filters are removed before use.

## Flexible Ducting Installation



Please do not crush or kink flexi ducting, as it will reduce air flow and may cause noise to occur through the system. Ducting must be kept taut at all times.

## Isodrive Motor Setup

### NOTE



Please refer to the Isodrive motor installation guide for more details on flexi ducting and Isodrive motor installation.

## Electronic Controls

### Model WM-EX90S.

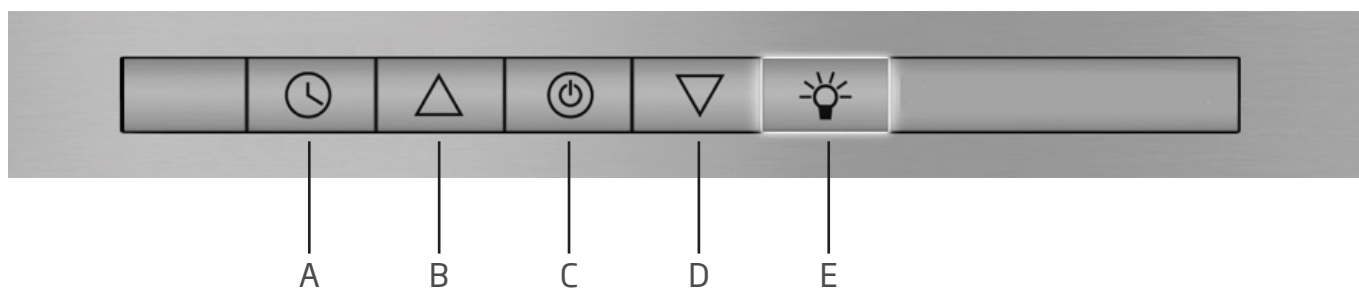
The rangehood has a 4-speed electronic keypad.

Speed control usage suggestions:

- Low speed for simmering.
- Medium speed for light cooking.
- High speeds for heavy frying or heavy cooking.

To obtain the best performance, switch the rangehood on a few minutes prior to cooking and leave it running for at least 10 minutes after you have finished cooking.

The buttons have the following functions:



**A.- Timer:** When this function is activated, the blue light will flash on the timer button. The rangehood continues to operate for 10-15 minutes at the required speed and then automatically switches the motor off.

**B.- Increase speed:** This button increases the aspiration speed. When at maximum speed, the blue light will flash.

**C.- ON / OFF:** This button turns the rangehood on and off. The rangehood will always turn on at the same speed at which it was turned off.

**D.- Reduce speed:** This button reduces the aspiration speed. When in operation, the low speed button will be blue.

**E.- Light:** Press this button to turn the lights on and off. When the lights are operating, the light button is blue.

This rangehood has a device that lets you know when the grease filters must be cleaned.

When the light button **(E)** flashes, this means the filters must be washed (usually after 40 hours of operation).

When the filters have been washed and re-mounted, hold the light button **(E)** down for a few seconds to reset it and return the counter down to zero.

## 6. Cleaning and maintenance

### **WARNING**

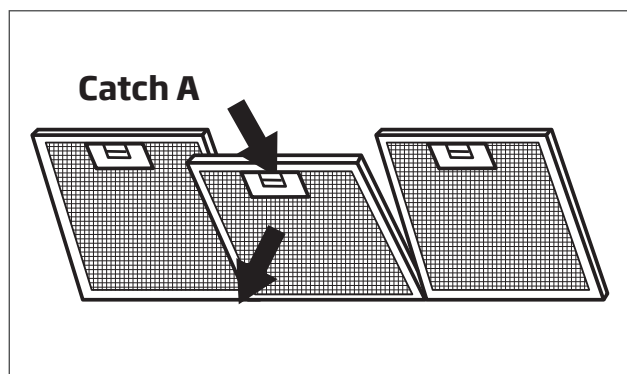
Always switch off and disconnect power to the rangehood before cleaning. The manufacturer is exonerated from all responsibility in the event of fire due to poor maintenance of the filters and rangehood.

Cleaning and user maintenance shall not be made by children.

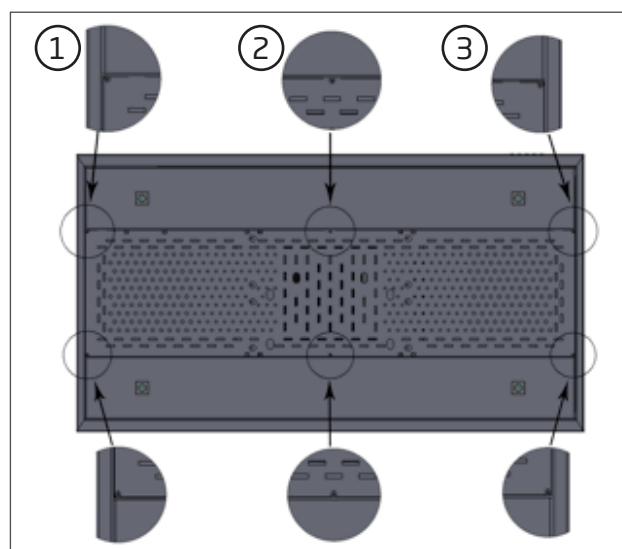
## Filters

- For this appliance to function effectively, regular maintenance is a must.
- The function of the filter is to absorb the grease particles emitted during cooking.
- Blocked filters and heavy oil deposits restrict airflow and may cause the motor to overheat and become a fire hazard.
- Filters should be cleaned every 3-6 weeks or after 40 hours of use.
- Disconnect the electrical connection before any maintenance or cleaning processes are carried out.
- In ceiling-mounted rangehoods, the doors or glass must be opened before accessing the filters.
- To remove the filter, press 'Catch A' towards the rear of the rangehood (removing the pins from the front guide), ease down slightly and remove. To replace, perform the same operation but in reverse, see figure 1.
- If your model is equipped with the Balanced Aspiration System periodical cleaning is required.

**Figure 1**



**Figure 2 Balanced Aspiration Plate**





## 6. Cleaning and maintenance

The Balanced Aspiration plate can be removed by taking out the 6 screws shown in figure 2. Please make sure it is fully dry before installing back to the rangehood.

- For an induction cooktop, please aim to clean the filters at least every 10 days, depending on frequency of use.
- The filters can be washed by hand or in the dishwasher

**Washing by hand** - Immerse the filter in hot water and a suitable detergent, when clean, rinse with plenty of hot water.

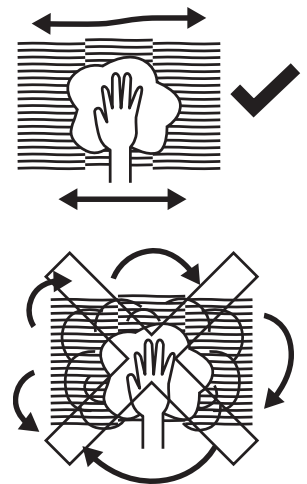
**Dishwasher** - Put the filter in the dishwasher and select a short program at low temperature.

**NOTE:** The colour of the metal mesh filters may change after several washes. This is normal and it is not necessary to replace the filters.

### Surfaces

The surface of the rangehood can be cleaned with warm soapy water and a soft sponge / cloth.

- Never use abrasive detergents, scouring pads, steel wool or solvents on ANY part of this appliance.
- Rinse with clean water and ensure that the appliance is completely dry after cleaning.
- For better results, you can use high quality cleaning and protection products (eg. Steel Kleen) to clean your rangehood.
- Always make sure the appliance is completely dry after cleaning and never leave wet, this may cause irreparable damage.



It is important to follow the direction of the surface grain with the cloth (refer to figure right).

Do not pour any liquid directly onto the rangehood, apply to a soft cloth first.

The cloth must have no buttons, zips or fasteners that can scratch the surface.

It is strictly forbidden to use chemical solvents, aggressive, grainy or abrasive products, naphtha, alcohol or similar products that could damage the surface of the rangehood.

The manufacturer will not be held responsible for functional or aesthetic damage caused by using inadequate cleaning methods.

### Cleaning the Interior

Clean the interior of the rangehood with a damp cloth and a neutral detergent or denatured alcohol.

**NOTE:** Do not use denatured alcohol on the exterior of the rangehood. Do not clean the electric parts or the motor with liquids or solvents.

## 6. Cleaning and maintenance

### Replacing the Lights

#### **DANGER**

Always switch off and disconnect power before replacing the lights. Failure to do so may cause serious injury. Please be aware that the light bulb may retain heat for a short period of time after being switched off.

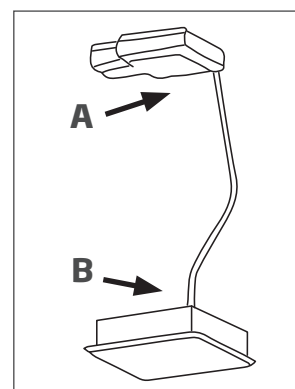
Your rangehood may have multiple light types, please refer to the pictures below for light replacement.

#### **TYPE 1 (GLED Square): REPLACING THE LED BULB**

The life span of an LED bulb is at least 10 times that of a halogen bulb. If the globe needs to be replaced, proceed as follows:

1. Unplug the respective connector (A).
2. Press the tabs (B) inside the rangehood.
3. Remove the LED.
4. Put in the new LED and reinstall, as above, but in reverse order.

Type 1 - GLED Square

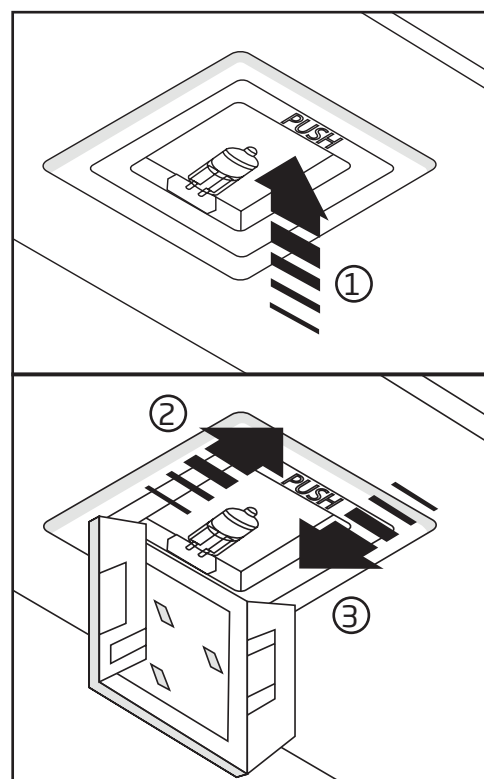


#### **TYPE 3 (Halogen G4HD, LED G4): REPLACING THE HALOGEN OR LED BULB (MAX 20W, 12V)**

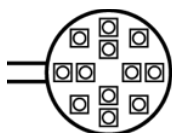
1. Press on the indicated zone "push" (1)
2. Open the light cover to an angle of 90°, DO NOT force past 90°.
3. Insert a new 12V halogen bulb as indicated (2) and (3), 50W maximum.
4. Close the light cover by pressing the part where it says "push" (1), until it clicks shut.

**NOTE:** Never handle the glass of the lamp with bare hands. Use a cloth or wear gloves when handling the bulb to avoid contact with skin.

Type 3 - Halogen G4 HD, LED G4



Halogen Bulb



LED Bulb [Optional]

### Cooking with Induction Cooktops

Cooking with an induction or similar cooktop, may produce condensation on the rangehood.

Unlike basic electric or gas cooking, induction cooktops heat food and liquid instantly, which in turn, produces vapours rapidly. Because of the accelerated process, the rangehood filters do not have enough time to warm up, which increases the chance of condensation forming.

There are many variables that may contribute to condensation forming, some of which include but are not limited to:

- Variance in climate - geographical location.
- Position of your home & kitchen - morning/afternoon sun.
- Distance from cooktop to the rangehood.
- Speed of food & liquid heating.
- Angle of ducting - an 'S' bend is preferred.
- Filter size - larger rangehood preferred, as it will have a larger filter extraction area.
- Quality of pots or cookware you are using - high quality is recommended.

### How to reduce the possibility of condensation forming:

- Ensure the rangehood is installed by a qualified professional, carefully following the installation guide.
- Turn on the rangehood 5-10 minutes prior to cooking, and leave on for 5-10 minutes after cooking; this helps clear remaining vapours from the flue.
- Start the cooking process at a low-to-medium setting and allow time for the rangehood to become warm.
- Clean filters regularly.
- Ensure constant airflow in the cooking zone; this helps optimise the rate of extraction.
- Follow all induction cooktop manufacturer's advice.
- Install at recommended height above induction cooktop.

For further tips or information regarding cooking with induction, please contact the induction cooktop manufacturer.

Before you contact the technical service department, make sure that the product is plugged in and power is supplied.

- Do not take any action that will damage the product.

## IMPORTANT

Never attempt to repair this appliance by yourself. Always refer to a qualified Service Technician.

	Check electric connection. Voltage of the electric network should be between 220 - 240V, rangehood should be connected to grounded plug and turned on.	Check motor switch. Please ensure that there is power to the rangehood and the rangehood is switched on.	Check lamp switch. Lamp switch should be at on position.	Check filters. The filters should be washed regularly, see filter cleaning.	Light bulbs should be firmly in position.	Check light bulbs. Make sure they are not broken or faulty.	Please make sure there is no obstruction in ducting or with the back draft fins.	Check the outlet, make sure it is not blocked and you have the correct diameter ducting installed.	Check Isodrive installation manual, make sure the flexi ducting is installed correctly, eg. Length of ducting used, keep the ducting taut.	Check the ducting has not come off the rangehood outlet or has been eaten through by rodents.
Rangehood does not work	X	X								
Light does not work	X		X		X	X				
Rangehood air exaction is weak				X			X	X	X	
Rangehood does not direct air out (through chimney)				X			X			
Loud noise from the rangehood								X	X	

### Calling the Technical Assistance Service Hotline

In the event that the failure is not due to the faults mentioned in Trouble Shooting, contact Customer Service.

**In Australia,** Customer Service 1300 829 066

**In New Zealand,** Customer Service 0800 200 510

### Lodging an online Service Request

In the event that failure is not due the reason/s in the trouble shooting section, you can lodge an online Service Request.

To lodge a Service Request, visit our website [www.schweigen.com.au/pages/support/service-warranty](http://www.schweigen.com.au/pages/support/service-warranty) and click on the link to download the service request form.

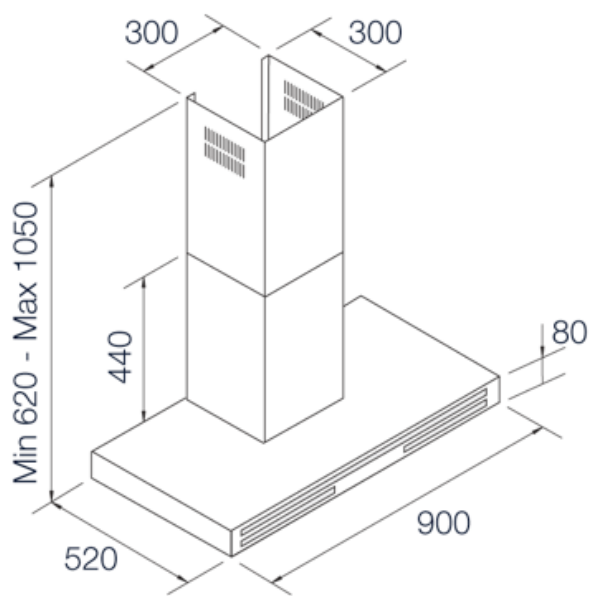
A service request will require the following information:

- The purchase date
- The rangehood model and motor type
- The rangehood serial number or batch number (this number is on a sticker inside the rangehood)
- A copy of the purchase receipt (without a receipt your service request cannot be processed)

### Faulty Installation

It is not the responsibility of Schweigen Home Appliances to rectify any incorrect installations. A service call out fee will be charged for any Schweigen technician that attends a call, whereby it is established that the fault is due to an incorrect installation or non-manufacturing fault. Should the appliance be installed in such a way that the service agent is unable to gain access to the appliance, the person/s who own the premises where the appliance resides – will be responsible to provide access to the appliance at their expense.

# 8. Technical specifications



- Model:** WM-EX90S
- Feeding Voltage:** 220-240V 50Hz
- Max Lamp Power:** 3 x GLED Square 55 x 55mm  
2.1 Watts 12V 4000k

Under our policy of continuous product development, product specifications may change without notice. Prospective purchasers should therefore check with the retailer to ensure this publication correctly describes the products being offered for sale. All information supplied is to be used for general reference purposes only and is on the understanding that Schweigen Home Appliances will not be liable for any loss, liability or damage of whatever kind arising as a result of any reliance upon such information. All pictures used in the guide are for illustrative purposes only.

Although our information and marketing states the term 'Silent' for certain models, the following applies to various models that are sold with certain IsoDrive Systems and baffle filters. When a model with the larger motored IsoDrive System is operated at the higher speed/s air movement may be heard. For example, while operating on speed 4 & 5 (For 5 speed models) the rangehood may be audible due to the large amount of air movement moving through the filter.

\*Please make sure that the rangehood and motor have been installed as per the corresponding instruction guides in order for optimal performance (the Isodrive Motor Manual can be found with the Isodrive Motor, or online at [schweigen.com.au](http://schweigen.com.au)).

Schweigen Home Appliances has presented this information in good faith to all their retailers and distributors to convey before any/all purchase/s. Information is supplied upon the condition that the person/s receiving the information will make their own determination as to its suitability for their purpose/s prior to use. In no event will Schweigen Home Appliances be responsible for damages of any nature whatsoever resulting from the use of, or reliance upon, information from their website or the products to which the information refers.



The symbol on the product or its packaging indicates that it cannot be treated as normal household waste. Take this product to your nearest electrical and electronic equipment waste point for recycling. By correctly disposing of this product, you will be helping to prevent potentially negative consequences for the environment and public health, which could arise if this product is not handled in the appropriate way. For more details about the recycling of this product please contact the authorities of your city or town, your local household waste service or the store where you purchased the product.

# schweigen

**Australia** 8/3-4 Anzed Court, Mulgrave 3170 Victoria. **Phone** 1300 881 693  
**Email** [sales@schweigen.com.au](mailto:sales@schweigen.com.au) **Web** [www.schweigen.com.au](http://www.schweigen.com.au)

**New Zealand** 5 Tolich Place, Henderson, Auckland 0610. **Phone** 0800 200 510  
**Email** [info.parex@emerson.com](mailto:info.parex@emerson.com) **Web** [www.parex.co.nz](http://www.parex.co.nz)