

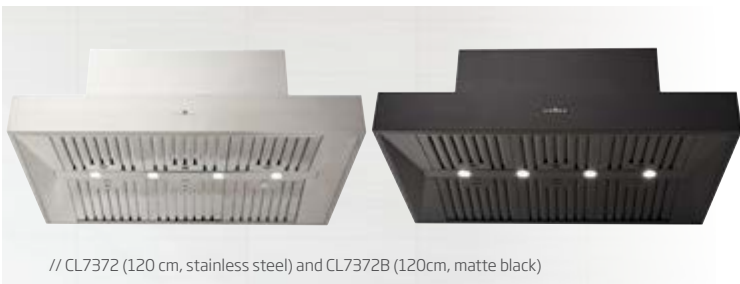


**CL7372, CL7375, CL7372B, CL7375B // 120cm & 150cm // ON-BOARD MOTOR**

TWIN  
ON-BOARD  
MOTORS



// CL7372S (120cm)



// CL7372 (120 cm, stainless steel) and CL7372B (120cm, matte black)



// CL7375B (150 cm, matte black) and CL7375 (150cm, stainless steel)

Constructed with high grade 304 stainless steel hand-polished to a hardwearing lustre and a matte black option, this BBQ wallmount rangehood promises a commanding presence in any alfresco cooking environment.

It pairs form and function with clean geometric lines and powerful air extraction from twin internal motors to swiftly deal with cooking odours, steam and airborne grease.

Users will especially appreciate the 5 extraction speeds, touch and remote control options, energy-efficient wide-angle LED lighting, dishwasher-safe stainless steel baffles and automatic shut-off function.

**PRODUCT DESCRIPTION**

- quality 304 grade stainless steel and matte black available
- 5 speed touch sensitive controls, with remote
- 10 minute auto shut off
- GU10 LED lights with a lifetime warranty
- dishwasher safe, commercial grade baffles
- 200mm ducting is required and is sold separately
- 3 Year rangehood Warranty

**TECHNICAL DATA**

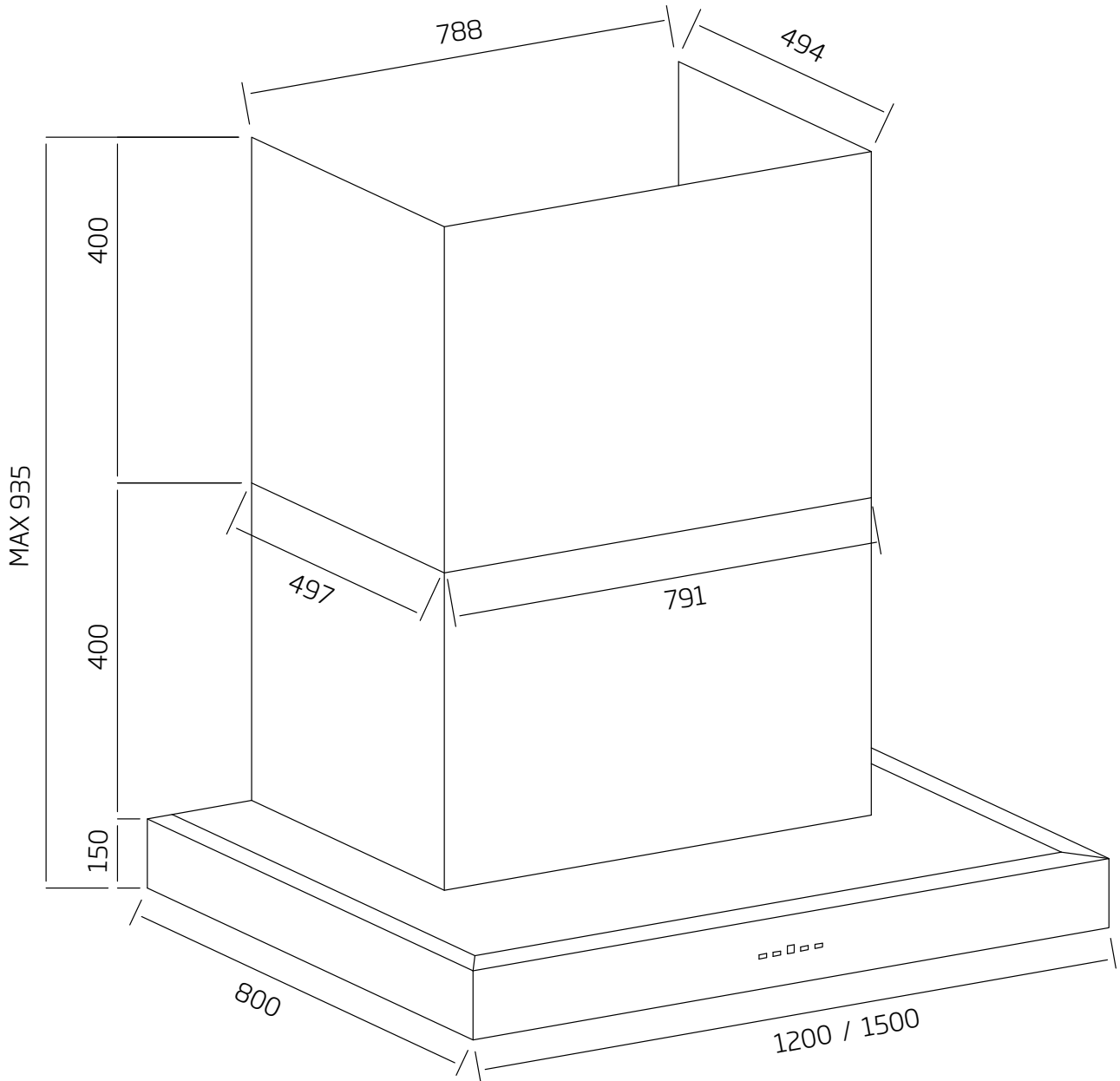
- **CL7372** dimensions: (W x D) 1200 x 800 mm, 6 x baffles, 4 x LED lights
- **CL7372** dimensions: (W x D) 1500 x 800 mm, 8 x baffles, 4 x LED lights

**INTERNAL MOTOR**

- Twin internal motors
- Airflow - 2500m<sup>3</sup>/h



**CL7372, CL7375, CL7372B, CL7375B // 120cm & 150cm // ON-BOARD MOTOR**



**Note:** 200mm ducting is required and is sold separately.

**Model:** CL7372, CL7372B, CL7375, CL7375B

**Feeding Voltage:** 220-240V 50Hz

**Max Lamp Power:** 4 x 3W

**ILCOS Code:** DRR-3-H-GU10-51/55